

22MM METAL ROUND ACTUATOR: SELECTOR SWITCH LATCHING 2 SWITCH POSITIONS O-I NON-ILLUMINATED WITH HOLDER BLACK

Actuator:		
Design of the product		Single device round
Design of the operating mechanism		selector switch
Outer diameter / of the actuating element	mm	28.5
Manner of function / of the actuating element		Latching
Type of unlocking device		rotate-to-unlatch mechanism
Color / of the actuating element		black
Material / of the actuating element		plastic
Number of switching positions		2
Actuating angle		
• clockwise	°	50
Product component / front ring		Yes
Material / of the front ring		metal
Color / of the front ring		silver
Design of the front ring		Standard
Product function / EMERGENCY STOP function		No

Holder:		
Material / of the holder		Metal

General technical data:

<b>Shock resistance</b> • for devices without incandescent lamp / acc. to IEC 60068-2-27		<= 50g
<b>Vibration resistance / acc. to IEC 60068-2-6</b>		20 ... 200 Hz: 5g
<b>Operating frequency / maximum</b>	1/h	1,000
<b>Mechanical service life (switching cycles) / typical</b>		300,000
<b>Product expansion / optional / Light source</b>		No
<b>Reference code</b> • acc. to DIN EN 61346-2 • acc. to DIN 40719 extended according to IEC 204-2 / acc. to IEC 750		S S
<b>Tightening torque / of the screws in the bracket / maximum</b>	N·m	1
<b>Ambient temperature</b> • during operation • during storage	°C °C	-25 ... +70 -40 ... +80
<b>Protection class IP</b>		IP67
<b>Climate class / during operation / acc. to EN 60721</b>		3K6
<b>Mounting type</b>		front mounting
<b>Shape / of the installation opening</b>		round
<b>Installation width</b>	mm	28.5
<b>Mounting diameter</b>	mm	22
<b>Mounting height</b>	mm	24
<b>Installation depth</b>	mm	29

#### Certificates/ approvals:

##### General Product Approval



[Special Test Certificate](#)

EG-Konf.

##### Shipping Approval



##### other

[Confirmation](#)

[other](#)

[Environmental Confirmations](#)

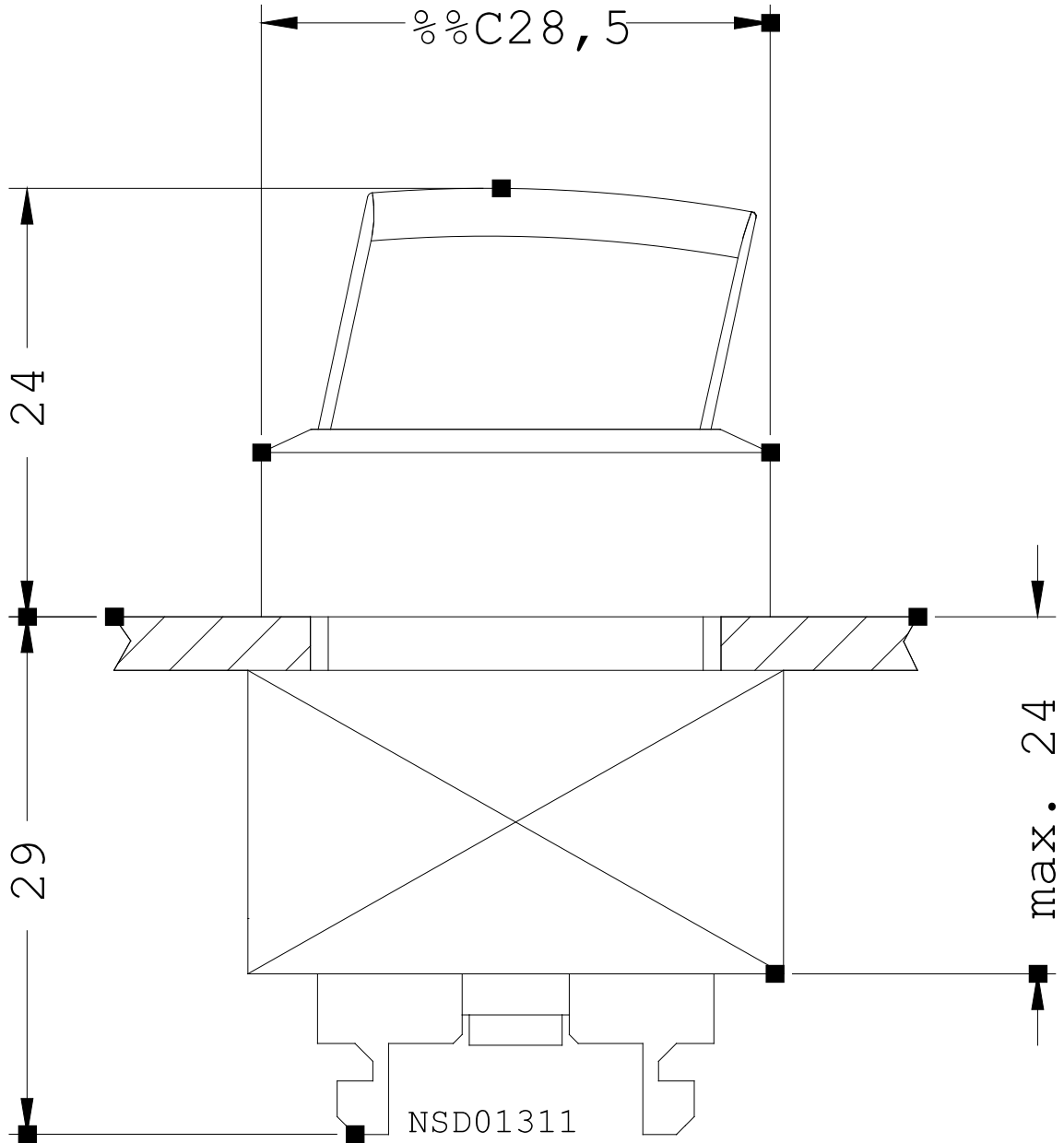
#### Further information:

##### Information- and Downloadcenter (Catalogs, Brochures,...)

<http://www.siemens.com/industrial-controls/catalogs>

##### Industry Mall (Online ordering system)

<http://www.siemens.com/industrial-controls/mall>



last change:

Nov 3, 2014