



22MM METAL ROUND INDICATOR: INDICATOR LIGHT WITH CONCENTRIC RINGS ILLUMINABLE WITH HOLDER YELLOW

Actuator:		
Design of the operating mechanism		indicator light
Shape / of the activation element		Concentric rings
External diameter / of the activation element	mm	28
Material / of the activation element		plastic

General technical details:		
Design of the product		Single device round
Number of control points		0
Number of indicator lights / installable		1
Number of switching positions		0
Product extension / optional / fluorescent materials		Yes
Product function / emergency stop function		No
Resistance against shock		
<ul style="list-style-type: none"> <li>• for devices with incandescent lamp / according to IEC 60068-2-27</li> </ul>		<= 30g
<ul style="list-style-type: none"> <li>• for devices without incandescent lamp / according to IEC 60068-2-27</li> </ul>		<= 50g
Resistance against vibration / according to IEC 60068-2-6		20 ... 200 Hz: 5g
Item designation		

- according to DIN 40719 extendable after IEC 204-2 / according to IEC 750
- according to DIN EN 61346-2

	H
	P

#### Installation/mounting/dimensions:

<b>Product component / front ring</b>		No
<b>Type of mounting</b>		front mounting
<b>Installation width</b>	mm	28
<b>Mounting height</b>	mm	11
<b>Shape / of the installation hole</b>		round
<b>Mounting diameter</b>	mm	22
<b>Tightening torque / of the screws in the bracket / maximum</b>	N·m	1

#### Ambient conditions:

<b>Ambient temperature</b>		
• during operating	°C	70 ... -25
• during storage	°C	-40 ... +80
<b>Protection class IP</b>		IP67

#### Certificates/approvals:

#### Further information:

##### Information- and Downloadcenter (Catalogs, Brochures,...)

<http://www.siemens.com/industrial-controls/catalogs>

##### Industry Mall (Online ordering system)

<http://www.siemens.com/industrial-controls/mall>

##### CAX-Online-Generator

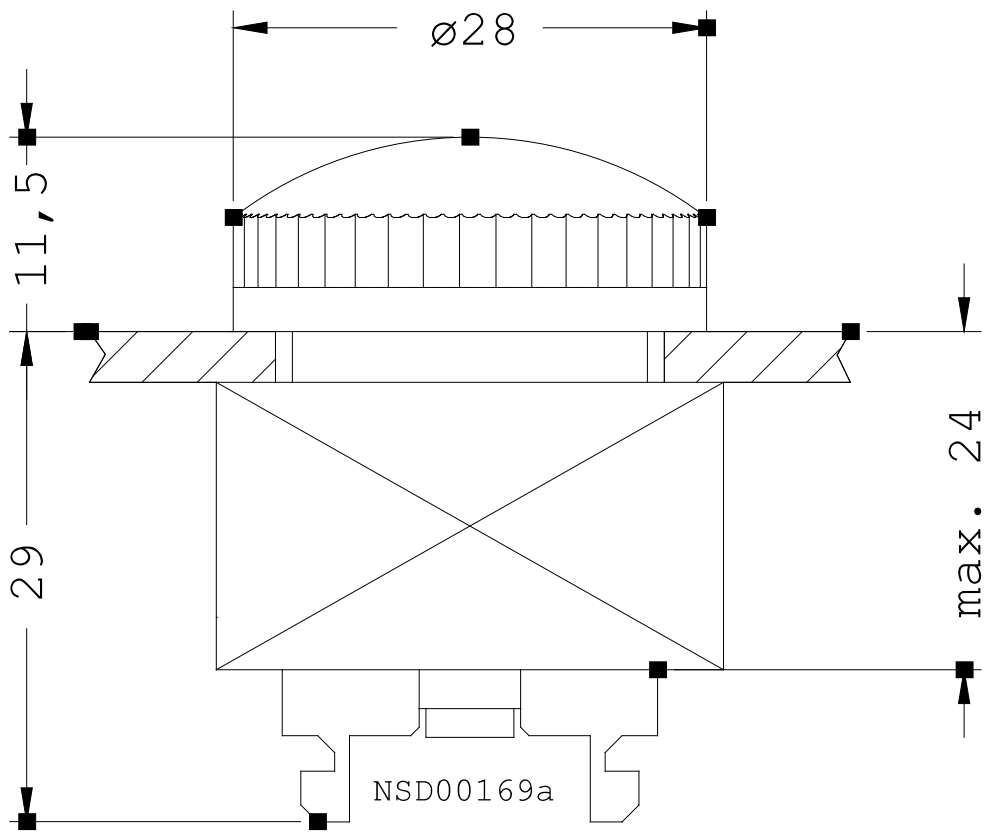
<http://www.siemens.com/cax>

##### Service&Support (Manuals, Certificates, Characteristics, FAQs,...)

<http://support.automation.siemens.com/WWW/view/en/3SB3501-6BA30/all>

##### Image database (product images, 2D dimension drawings, 3D models, device circuit diagrams, ...)

[http://www.automation.siemens.com/bilddb/cax\\_en.aspx?mlfb=3SB3501-6BA30](http://www.automation.siemens.com/bilddb/cax_en.aspx?mlfb=3SB3501-6BA30)



last change:

Mar 17, 2012