

22MM METAL ROUND INDICATOR: INDICATOR LIGHT WITH CONCENTRIC RINGS ILLUMINABLE WITH HOLDER GREEN

Actuator / signaling device:		
Design of the product		Single device round
Design of the operating mechanism		indicator light
External diameter / of the activation element	mm	28
Color / of the activation element		Green
Material / of the activation element		plastic
Shape / of the activation element		Concentric rings
Number of switching positions		0
Product component / front ring		No
Product function / EMERGENCY STOP function		No

General technical details:		
Resistance against shock <ul style="list-style-type: none"> • for devices with incandescent lamp / according to IEC 60068-2-27 • for devices without incandescent lamp / according to IEC 60068-2-27 		<= 30g <= 50g
Resistance against vibration / according to IEC 60068-2-6		20 ... 200 Hz: 5g
Product extension / optional / fluorescent materials		Yes
Item designation <ul style="list-style-type: none"> • according to DIN EN 61346-2 • according to DIN 40719 extendable after IEC 204-2 / according to IEC 750 		P H
Tightening torque / of the screws in the bracket / maximum	N·m	1
Ambient temperature <ul style="list-style-type: none"> • during operating • during storage 	°C °C	-25 ... +70 -40 ... +80
Protection class IP		IP67
climatic class / during the operating phase / according to EN 60721		3K6
Type of mounting		front mounting
Shape / of the installation hole		round
Installation width	mm	28

Mounting diameter	mm	22
Mounting height	mm	11
Mounting depth	mm	29

Certificates/approvals:

General Product Approval



CSA



GOST



UL

Test Certificates

[Special Test Certificate](#)

Shipping Approval



ABS



BUREAU
VERITAS



DNV



LRS



PRS



RINA

other

[Confirmation](#)

[other](#)



UL

Further information:

Information- and Downloadcenter (Catalogs, Brochures,...)

<http://www.siemens.com/industrial-controls/catalogs>

Industry Mall (Online ordering system)

<http://www.siemens.com/industrial-controls/mall>

Cax online generator:

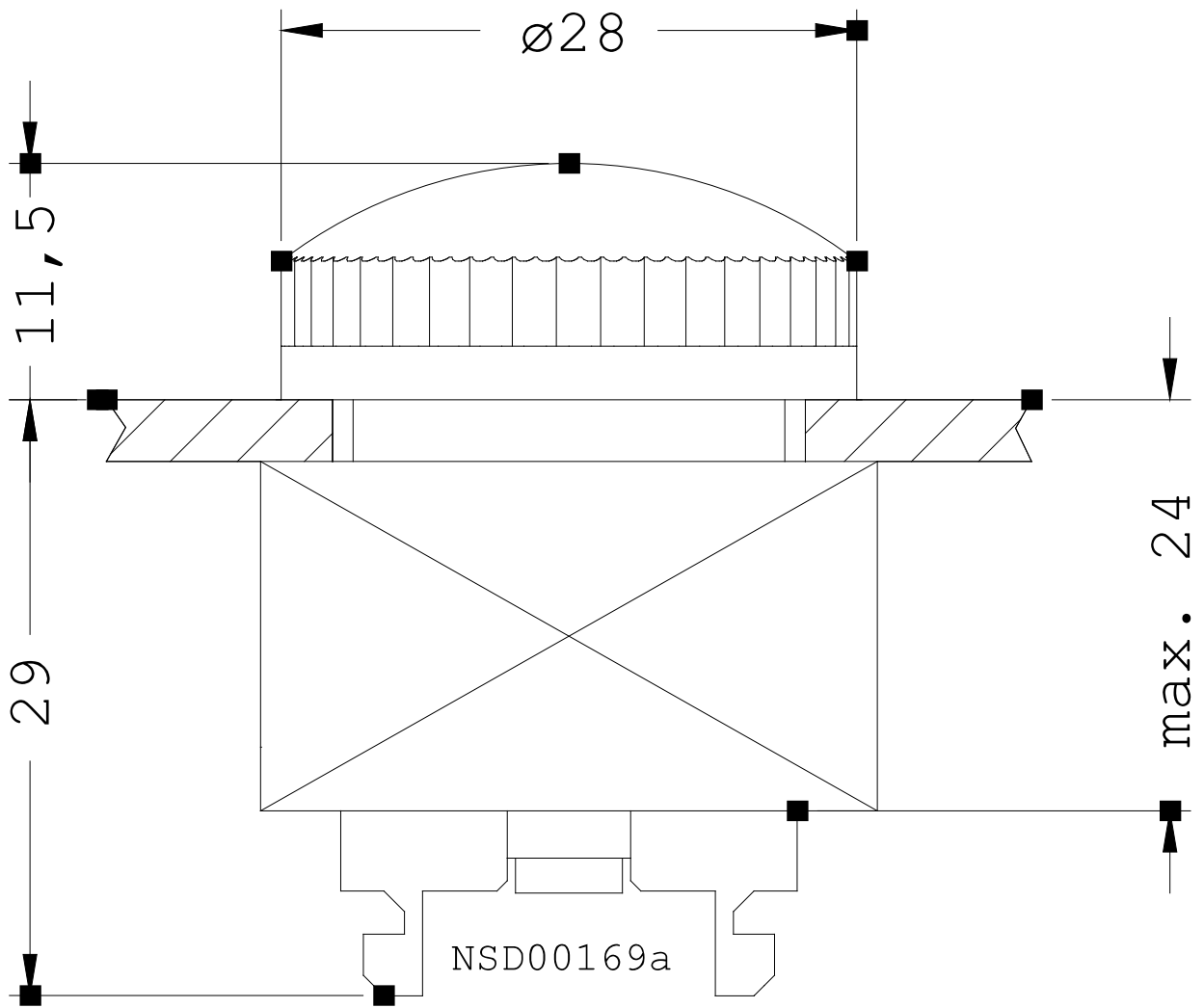
<http://www.siemens.com/cax>

Service&Support (Manuals, Certificates, Characteristics, FAQs,...)

<http://support.automation.siemens.com/WWW/view/en/3SB3501-6BA40/all>

Image database (product images, 2D dimension drawings, 3D models, device circuit diagrams, ...)

http://www.automation.siemens.com/bilddb/cax_en.aspx?mlfb=3SB3501-6BA40



last change:

Jul 17, 2012