



ENCLOSURE FOR 22MM PROGRAM PLASTIC VERSION
 1 COMMAND POSITION YELLOW TOP PART WITH
 PROTECTIVE COLLAR A=EMER.-STOP40MM ROT.-TO-
 UNLAT. 2NC

Enclosure:		
model of the measuring transducer		Enclosure for command and signaling devices with standard equipment
material / of the housing		plastic
Color / of the top part of housing		yellow
Number of control points		1
Product component / protective collar		Yes
Shape / of the housing front		Square
Design of electrical connection / on enclosure		Cable routing above, below / left, right, each 1 x M20
Type of mounting / of enclosure		Vertical / horizontal
Product function / EMERGENCY STOP function		Yes

Actuator / signaling device:		
Design of the operating mechanism		Emergency stop mushroom pushbutton
Assembling of the commanding and signaling device		A = Emergency stop mushroom pushbutton
Number of mushroom pushbuttons		1
Number of indicator lights		0
Number of pushbuttons		0
Number of key-operated switches		0
Material / of the activation element		plastic
Product component / front ring		No

Type of unlocking device		rotate-to-unlatch mechanism
Contact block / lampholder		
Number of switching elements		2
Number of NC contacts / for auxiliary contacts		2
Number of NO contacts / for auxiliary contacts		0
Number of change-over switches / for auxiliary contacts		0
Product function / positive opening		Yes
Number of lampholders		0
Type of mounting / of contact blocks, socket, and accessories		Floor mounting
Design of electrical connection / of contact blocks, socket, and accessories		Screw-type terminal
Product component / fluorescent materials		No
Product extension / optional / fluorescent materials		No
Accessories:		
Number of backing plates		0
Number of labeling plates		0
Product component / holder for 3 switching elements		No
General technical details:		
Type of voltage / of the operating voltage		AC/DC
Operating voltage		
• for DC		
• rated value	V	5 ... 230
• 1 / for DC / rated value	V	230
• at 50 Hz / at AC		
• rated value	V	5 ... 400
• 1 / at 50 Hz / for AC / rated value	V	400
• at 60 Hz / at AC		
• rated value	V	5 ... 300
• 1 / at 60 Hz / for AC / rated value	V	300
Operating current		
• at AC-12		
• at 24 V / rated value	A	10
• at 48 V / rated value	A	10
• at 110 V / rated value	A	10
• at 230 V / rated value	A	10
• at 400 V / rated value	A	10
• at AC-15		
• at 24 V / rated value	A	6

• at 48 V / rated value	A	6
• at 110 V / rated value	A	6
• at 230 V / rated value	A	6
• at 400 V / rated value	A	3
• at DC-12		
• at 24 V / rated value	A	10
• at 48 V / rated value	A	5
• at 110 V / rated value	A	2.5
• at 230 V / rated value	A	1
• at DC-13		
• at 24 V / rated value	A	3
• at 48 V / rated value	A	1.5
• at 110 V / rated value	A	0.7
• at 230 V / rated value	A	0.3
Supply status / pre-wired on terminal strip		No
Product component / stand/pedestal		No
Resistance against shock		
• for devices without incandescent lamp / according to IEC 60068-2-27		<= 50g
Resistance against vibration / according to IEC 60068-2-6		20 ... 200 Hz: 5g
Item designation		
• according to DIN EN 61346-2		S
• according to DIN 40719 extendable after IEC 204-2 / according to IEC 750		S
Tightening torque / of the screws in the bracket / maximum	N·m	1
Ambient temperature		
• during operating	°C	-25 ... +70
• during storage	°C	-40 ... +80
Protection class IP		IP65
B10 value / with high demand rate / according to SN 31920		100,000
Proportion of dangerous failures / with high demand rate / according to SN 31920	%	20
Proportion of dangerous failures / with low demand rate / according to SN 31920	%	20
Failure rate (FIT value) / with low demand rate / according to SN 31920	FIT	100
T1 value / for proof test interval or service life / according to IEC 61508	a	20
climatic class / during the operating phase / according to EN 60721		3K6
Shape / of the installation hole		round
Mounting diameter	mm	22

Width	mm	85
Height	mm	85
Depth	mm	106

Certificates/approvals:

General Product Approval	Test Certificates	Shipping Approval
--------------------------	-------------------	-------------------



[Special Test Certificate](#)



other

[Confirmation](#)



Further information:

Information- and Downloadcenter (Catalogs, Brochures,...)

<http://www.siemens.com/industrial-controls/catalogs>

Industry Mall (Online ordering system)

<http://www.siemens.com/industrial-controls/mall>

Cax online generator:

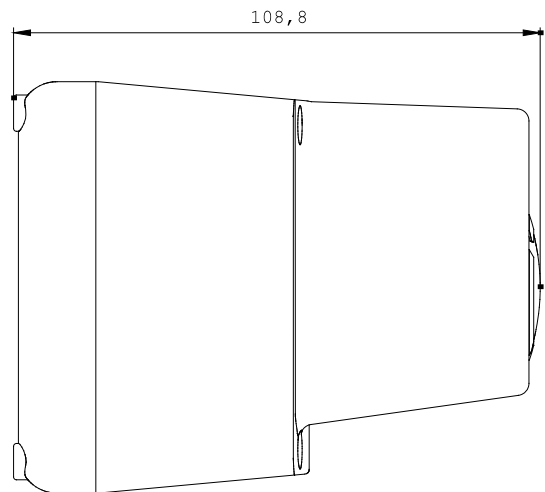
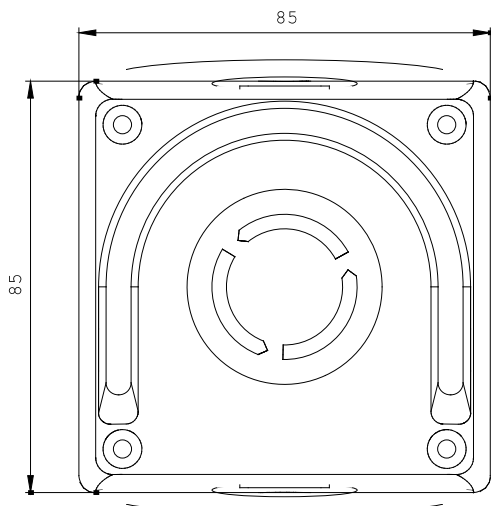
<http://www.siemens.com/cax>

Service&Support (Manuals, Certificates, Characteristics, FAQs,...)

<http://support.automation.siemens.com/WW/view/en/3SB3801-0EF3/all>

Image database (product images, 2D dimension drawings, 3D models, device circuit diagrams, ...)

http://www.automation.siemens.com/bilddb/cax_en.aspx?mlfb=3SB3801-0EF3



last change:

May 14, 2012