

POSITION SWITCH,
METAL-ENCLOSED DEGREE OF PROTECTION IP67
SNAP-ACTION CONTACTS,
ROLLER CRANK,
ADJUSTABLE LENGTH 1 X M20 X 1,5



General technical details:		
product designation		position switch
Active principle		mechanical
Product function / status display		No
Item designation / according to DIN 40719 extendable after IEC 204-2 / according to IEC 750		S
Item designation / according to DIN EN 61346-2		B
Enclosure:		
Design of the housing		design complying with EN 50041
Design of the housing / according to standard		Yes
Coating / of the housing		painted
material / of the housing		metal
Length of the sensor	mm	182.5
Width of the sensor	mm	40
Drive Head:		
Design of the operating mechanism		twist lever, adjustable length
Contact:		
Design of the contact element		snap-action contacts
Number of NC contacts / for auxiliary contacts		1

Number of NO contacts / for auxiliary contacts		1
Number of change-over switches / for auxiliary contacts		0
Design of the switching function		CO contact
Design of the electrical connection		screw-type terminals

Ambient conditions:

Protection class IP		IP67
---------------------	--	------

Certificates/approvals:

Verification of suitability		CE / UL / CSA / CCC
-----------------------------	--	---------------------

Acceptability for application / safety cut-out switch		No
---	--	----

ambient temperature		
• during the operating phase	°C	85 ... -30

General Product Approval

For use in hazardous locations

[CQC](#)



[ROSTEST](#)



[other](#)

Shipping Approval

[other](#)

[ABS](#)



[PRS](#)



[Manufacturer](#)

Further information:

Information- and Downloadcenter (Catalogs, Brochures,...)

<http://www.siemens.com/industrial-controls/catalogs>

Industry Mall (Online ordering system)

<http://www.siemens.com/industrial-controls/mall>

CAX-Online-Generator

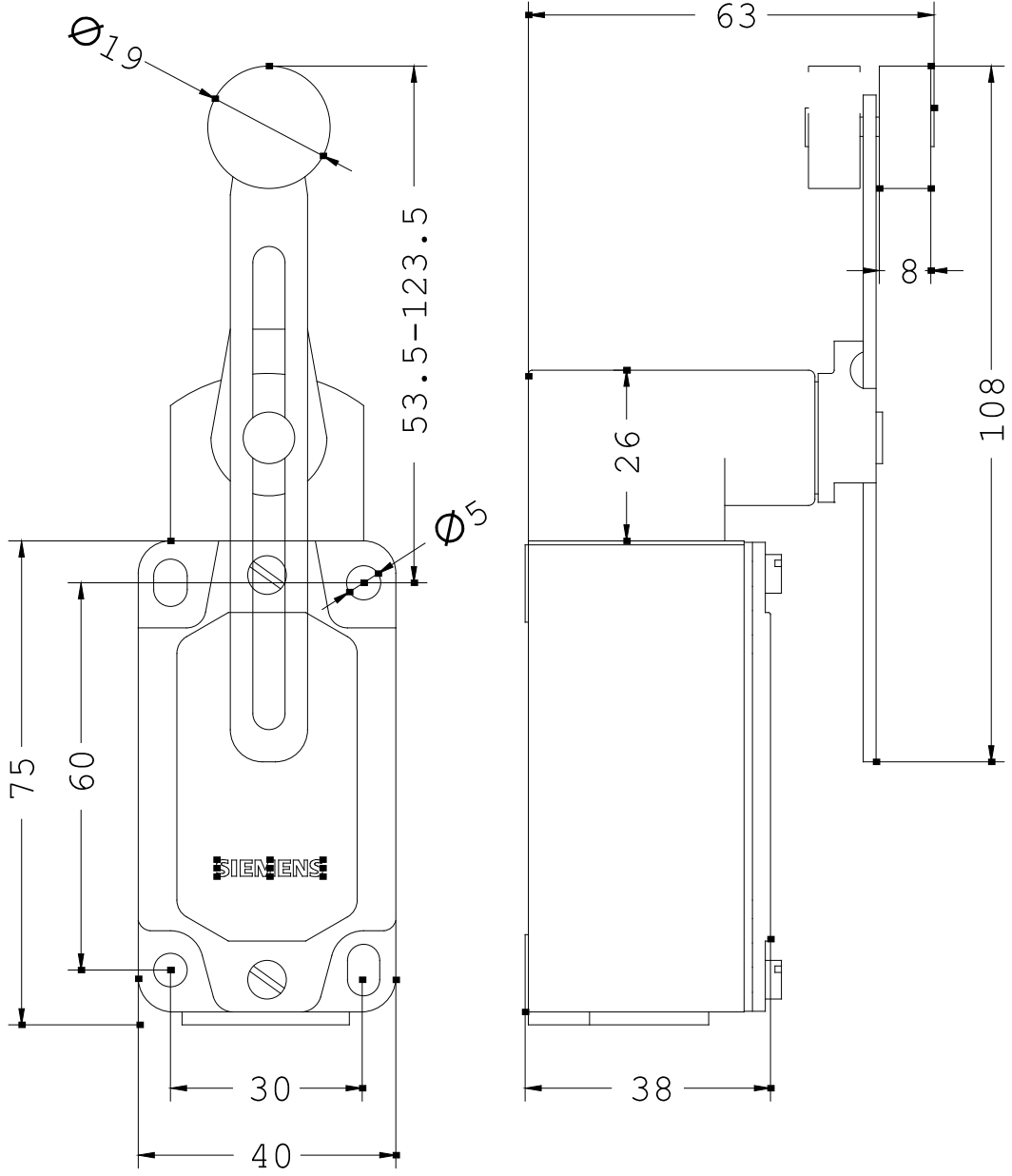
<http://www.siemens.com/cax>

Service&Support (Manuals, Certificates, Characteristics, FAQs,...)

<http://support.automation.siemens.com/WW/view/en/3SE2120-1UW/all>

Image database (product images, 2D dimension drawings, 3D models, device circuit diagrams, ...)

http://www.automation.siemens.com/bilddb/cax_en.aspx?mlfb=3SE2120-1UW



last change:

May 16, 2011