

POSITION SWITCH ENCLOSED DEGREE OF PROTECTION IP65,  
EN 50 041,  
SLOW ACTION CONTACTS 1NO+1NC,  
ROLLER PLUNGER, 1 X M20 X 1,5

**General technical details:**

Product designation		position switch
Active principle		mechanical
Product function / Status display		No
Item designation / according to DIN 40719 extendable after IEC 204-2 / according to IEC 750		S
Item designation / according to DIN EN 61346-2		B

**Enclosure:**

Design of the housing		design complying with EN 50041
Design of the housing / according to standard		Yes
Material / of the housing		glass fiber reinforced thermoplast
Length of the sensor	mm	118
Width of the sensor	mm	40

**Drive Head:**

design of the operating mechanism		roller plunger
Norm designation of the switching head		EN 50041, design C
Shape / of the switch head		roller

**Contact:**

Design of the contact element		slow-action contacts
Number of NC contacts / for auxiliary contact		1
Number of NO contacts / for auxiliary contact		1
Number of change-over switches / for auxiliary contact		0
Design of the switching function		positive opening
Design of the electrical connection		screw-type terminals

**Ambient conditions:**

Protection class IP		IP66
---------------------	--	------

**Certificates/approvals:**

verification of suitability		CE / UL / CSA / CCC
-----------------------------	--	---------------------

<b>Acceptability for application / Safety cut-out switch</b>		Yes
<b>Ambient temperature</b> • during the operating phase	°C	85 ... -30

#### Further information:

##### Information- and Downloadcenter (Catalogs, Brochures,...)

<http://www.siemens.com/industrial-controls/catalogs>

##### Global Industry Mall (Online ordering system)

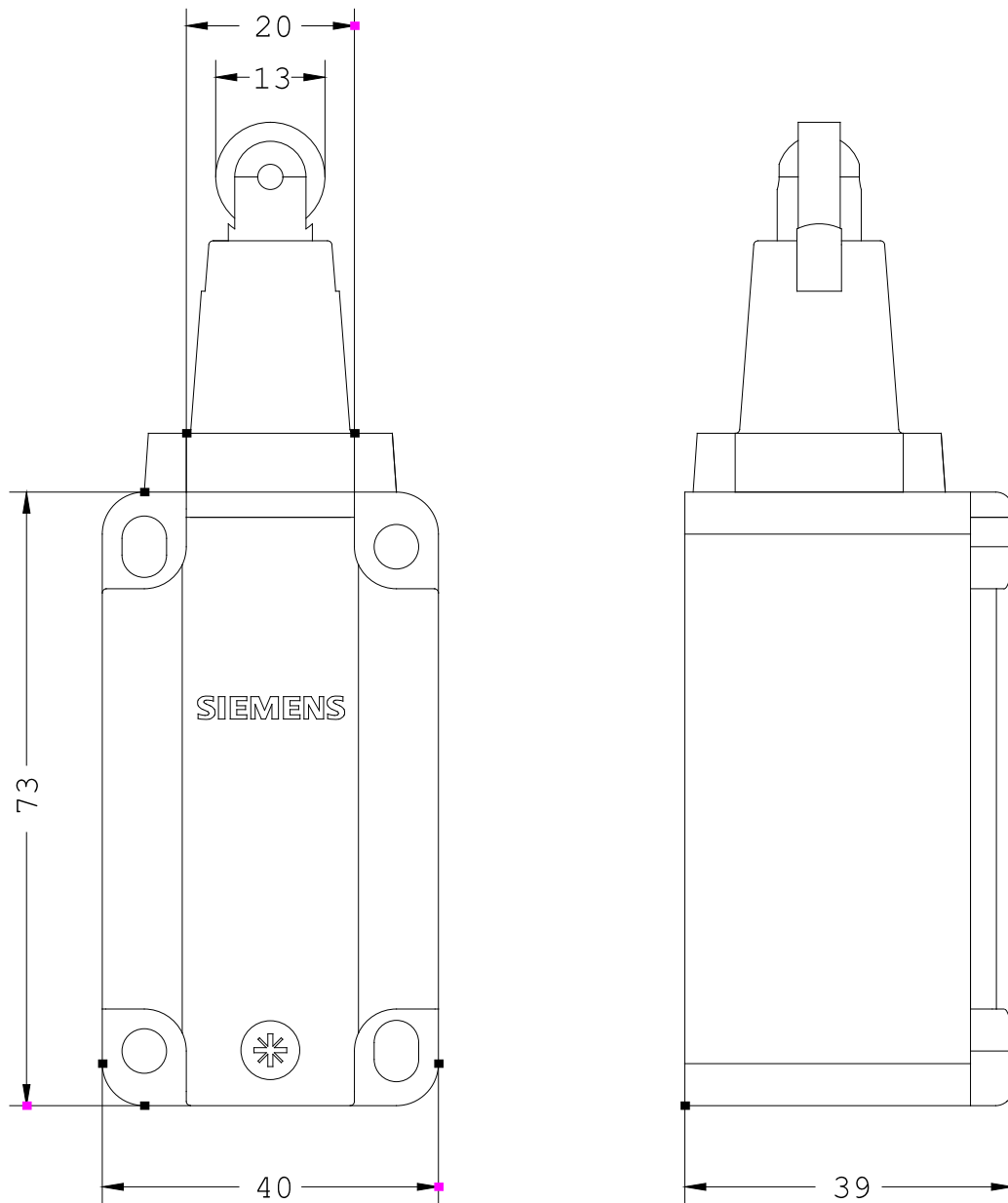
<http://www.siemens.com/industrial-controls/mall>

##### Service&Support (Manuals, Certificates, Characteristics, FAQs,...)

<http://support.automation.siemens.com/WW/view/en/3SE2230-0D/all>

##### Image database (product images, 2D dimension drawings, 3D models, device circuit diagrams, ...)

[http://www.automation.siemens.com/bilddb/cax\\_en.aspx?mlfb=3SE2230-0D](http://www.automation.siemens.com/bilddb/cax_en.aspx?mlfb=3SE2230-0D)



last change:

Jul 16, 2010