

POSITION SWITCH ENCLOSED DEGREE OF PROTECTION IP65,
EN 50 041,
SNAP ACTION CONTACTS 1NO+1NC,
ROLLER CRANK,
ADJUSTABLE LENGTH 1 X M20 X 1,5

General technical details:

Product designation		position switch
Active principle		mechanical
Product function / Status display		No
Item designation / according to DIN 40719 extendable after IEC 204-2 / according to IEC 750		S
Item designation / according to DIN EN 61346-2		B

Enclosure:

Design of the housing		design complying with EN 50041
Design of the housing / according to standard		Yes
Material / of the housing		glass fiber reinforced thermoplast
Length of the sensor	mm	182.5
Width of the sensor	mm	40

Drive Head:

design of the operating mechanism		twist lever, adjustable length
-----------------------------------	--	--------------------------------

Contact:

Design of the contact element		snap-action contacts
Number of NC contacts / for auxiliary contact		1
Number of NO contacts / for auxiliary contact		1
Number of change-over switches / for auxiliary contact		0
Design of the switching function		CO contact
Design of the electrical connection		screw-type terminals

Ambient conditions:

Protection class IP		IP66
---------------------	--	------

Certificates/approvals:

verification of suitability		CE / UL / CSA / CCC
Acceptability for application / Safety cut-out switch		No

Ambient temperature

- during the operating phase

°C

85 ... -30

Further information:

Information- and Downloadcenter (Catalogs, Brochures,...)

<http://www.siemens.com/industrial-controls/catalogs>

Global Industry Mall (Online ordering system)

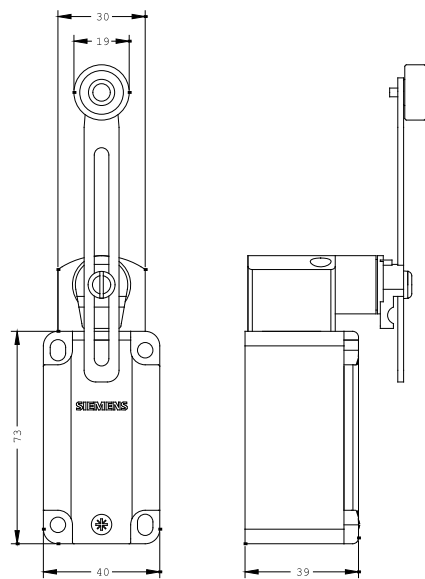
<http://www.siemens.com/industrial-controls/mall>

Service&Support (Manuals, Certificates, Characteristics, FAQs,...)

<http://support.automation.siemens.com/WW/view/en/3SE2230-1U/all>

Image database (product images, 2D dimension drawings, 3D models, device circuit diagrams, ...)

http://www.automation.siemens.com/bilddb/cax_en.aspx?mlfb=3SE2230-1U



last change:

Jul 16, 2010