



METAL-ENCLOSED POSITION SWITCH,  
SLOW-ACTION CONTACTS 1NO+2NC,  
TWIST LEVER FINE ADJUSTMENT,  
3 X M20 X 1.5

### General technical details:

<b>Product designation</b>		position switch
<b>Active principle</b>		mechanical
<b>Product function / Status display</b>		No
<b>Item designation / according to DIN 40719 extendable after IEC 204-2 / according to IEC 750</b>		S
<b>Item designation / according to DIN EN 61346-2</b>		B

### Enclosure:

<b>Design of the housing</b>		block, wide
<b>Design of the housing / according to standard</b>		No
<b>Coating / of the housing</b>		painted
<b>Material / of the housing</b>		metal
<b>Length of the sensor</b>	mm	153
<b>Width of the sensor</b>	mm	56

### Drive Head:

<b>design of the operating mechanism</b>		twist lever, adjustable
<b>Norm designation of the switching head</b>		EN 50041, design A

### Contact:

<b>Design of the contact element</b>		slow-action make-before-break contacts
--------------------------------------	--	--

Number of NC contacts / for auxiliary contact		2
Number of NO contacts / for auxiliary contact		1
Number of change-over switches / for auxiliary contact		0
Design of the switching function		positive opening
Design of the electrical connection		screw-type terminals

#### Ambient conditions:

Protection class IP		IP67
---------------------	--	------

#### Certificates/approvals:

verification of suitability		CE / UL / CSA / CCC
Acceptability for application / Safety cut-out switch		Yes
Ambient temperature		
<ul style="list-style-type: none"> <li>during the operating phase</li> </ul>	°C	85 ... -30

#### Further information:

##### Information- and Downloadcenter (Catalogs, Brochures,...)

<http://www.siemens.com/industrial-controls/catalogs>

##### Global Industry Mall (Online ordering system)

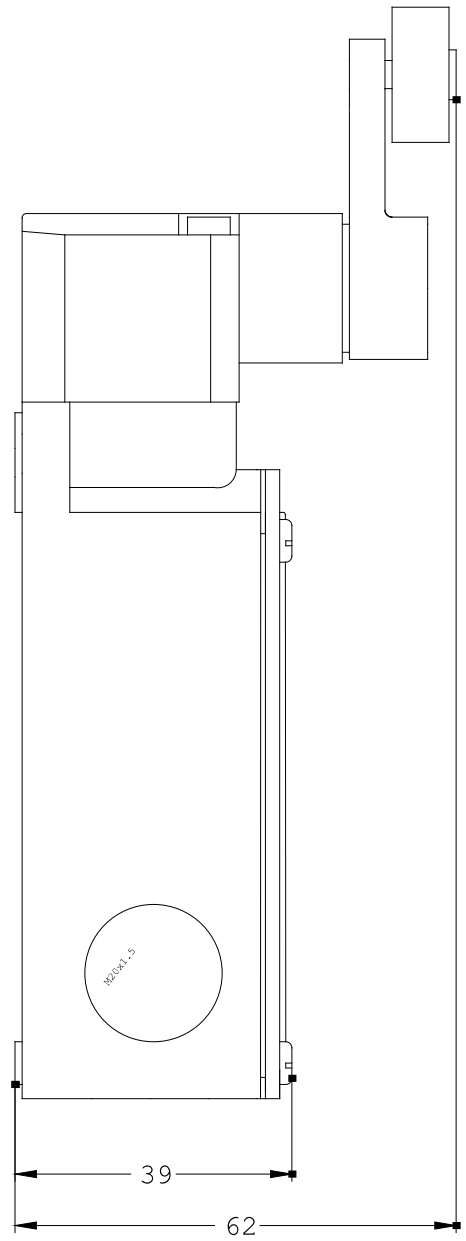
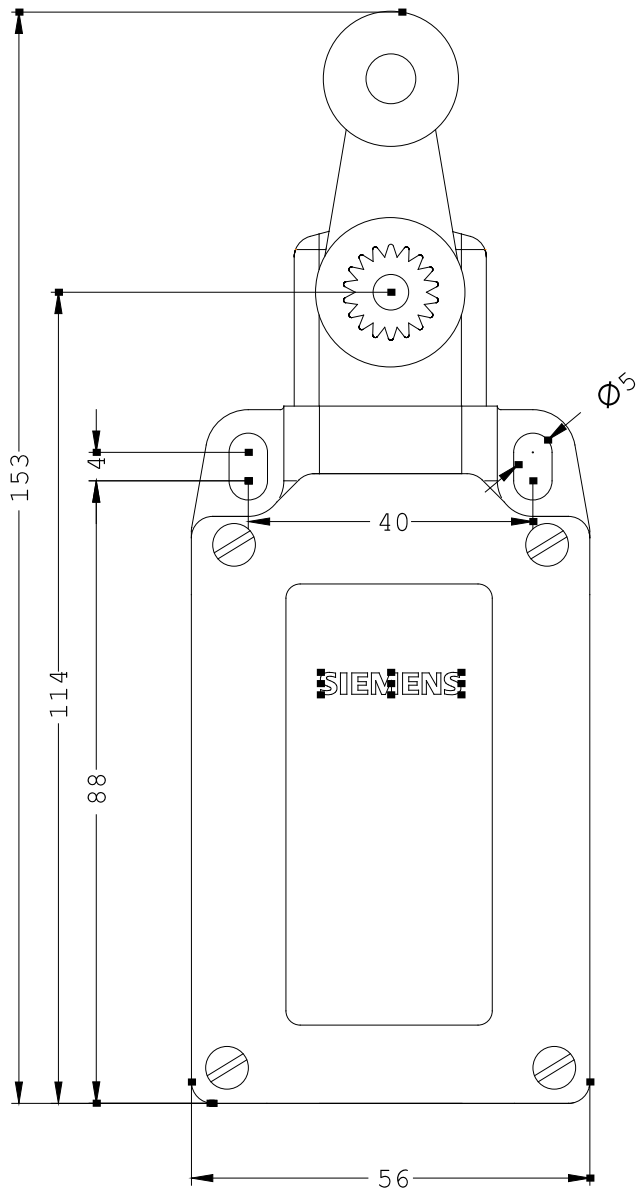
<http://www.siemens.com/industrial-controls/mall>

##### Service&Support (Manuals, Certificates, Characteristics, FAQs,...)

<http://support.automation.siemens.com/WWW/view/en/3SE2303-0GW/all>

##### Image database (product images, 2D dimension drawings, 3D models, device circuit diagrams, ...)

[http://www.automation.siemens.com/bilddb/cax\\_en.aspx?mlfb=3SE2303-0GW](http://www.automation.siemens.com/bilddb/cax_en.aspx?mlfb=3SE2303-0GW)



last change:

Jul 16, 2010