

SIRIUS POSITION SWITCH METAL ENCLOSURE 40MM ACC. TO EN50041 DEVICE CONNECTION 1X (M20X1.5) 1NO/1NC SNAP-ACTION CONTACTS SPRING ROD ACTUATOR 142.5 MM TOTAL LENGTH, PLASTIC PLUNGER 50MM



<b>Product designation</b>	standard position switch
<b>Manufacturer's article number</b>	
<ul style="list-style-type: none"> <li>• of the supplied basic switch</li> </ul>	<a href="#">3SE5112-0CA00</a>
<ul style="list-style-type: none"> <li>• of the supplied actuator head for position switches</li> </ul>	<a href="#">3SE5000-0AR01</a>
<ul style="list-style-type: none"> <li>• of the supplied switching contacts</li> </ul>	<a href="#">3SE5000-0CA00</a>
<ul style="list-style-type: none"> <li>• of the supplied empty enclosure with cover</li> </ul>	<a href="#">3SE5112-0AA00</a>

General technical data	
<b>Product function</b>	
<ul style="list-style-type: none"> <li>• positive opening</li> </ul>	No
<b>Insulation voltage</b>	
<ul style="list-style-type: none"> <li>• rated value</li> </ul>	400 V
<b>Degree of pollution</b>	class 3
<b>Surge voltage resistance rated value</b>	6 kV
<b>Protection class IP</b>	IP65/IP67
<b>Shock resistance</b>	
<ul style="list-style-type: none"> <li>• acc. to IEC 60068-2-27</li> </ul>	30 g / 11 ms
<b>Vibration resistance</b>	
<ul style="list-style-type: none"> <li>• acc. to IEC 60068-2-6</li> </ul>	0.35 mm/5g

<b>Mechanical service life (switching cycles)</b>	
• typical	10 000 000
<b>Electrical endurance (switching cycles)</b>	
• at AC-15 at 230 V typical	100 000
<b>Electrical endurance (switching cycles) with contactor 3RH11, 3RT1016, 3RT1017, 3RT1024, 3RT1025, 3RT1026 typical</b>	10 000 000
<b>Electrical operating cycles in one hour with contactor 3RH11, 3RT1016, 3RT1017, 3RT1024, 3RT1025, 3RT1026</b>	6 000
<b>Thermal current</b>	6 A
<b>Equipment marking</b>	
• acc. to DIN EN 61346-2	B
• acc. to DIN EN 81346-2	B
<b>Continuous current of the C characteristic MCB</b>	1 A; for a short-circuit current smaller than 400 A
<b>Continuous current of the quick DIAZED fuse link</b>	10 A; for a short-circuit current smaller than 400 A
<b>Continuous current of the DIAZED fuse link gG</b>	6 A
<b>Active principle</b>	mechanical
<b>Repeat accuracy</b>	0.05 mm
<b>Minimum actuating torque in activation direction</b>	0.25 N·m
<b>Operating current at AC-15</b>	
• at 24 V rated value	6 A
• at 125 V rated value	6 A
• at 230 V rated value	6 A
• at 400 V rated value	4 A
<b>Operating current at DC-13</b>	
• at 24 V rated value	3 A
• at 125 V rated value	0.55 A
• at 230 V rated value	0.27 A
• at 400 V rated value	0.1 A

## Enclosure

<b>Design of the housing</b>	block, narrow
<b>Material of the enclosure</b>	metal
<b>Coating of the enclosure</b>	cathodic immersion coating
<b>Design of the housing acc. to standard</b>	Yes

## Drive Head

<b>Design of the operating mechanism</b>	Spring rod, total length = 142.5 mm (spring 50 mm + plastic plunger 50 mm)
--	--

## Connections/Terminals

<b>Type of electrical connection</b>	screw-type terminals
--------------------------------------	----------------------

## Mechanical data

<b>Cable entry type</b>	1x (M20 x 1.5)
-------------------------	----------------

## Communication/ Protocol

**Design of the interface** without

## Ambient conditions

### Ambient temperature

- during operation -25 ... +85 °C
- during storage -40 ... +90 °C

## Installation/ mounting/ dimensions

**Mounting position** any

**Mounting type** screw fixing

## Certificates/approvals

### General Product Approval

Functional  
Safety/Safety  
of Machinery

Declaration of  
Conformity



CCC



CSA



UL



[Baumusterprüfbescheinigung](#)



EG-Konf.

**Test**

**other**

**Certificates**

[spezielle  
Prüfbescheinigunge  
n](#)

[Bestätigungen](#)

## Further information

**Information- and Downloadcenter (Catalogs, Brochures,...)**

<http://www.siemens.com/industrial-controls/catalogs>

**Industry Mall (Online ordering system)**

<https://mall.industry.siemens.com/mall/en/en/Catalog/product?mlfb=3SE5112-0CR01>

**Cax online generator**

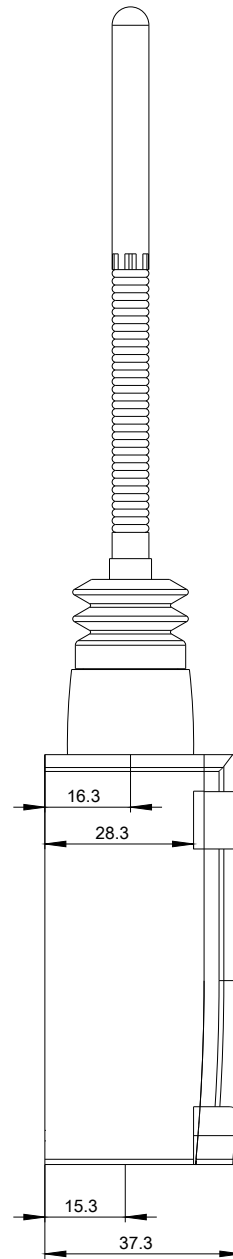
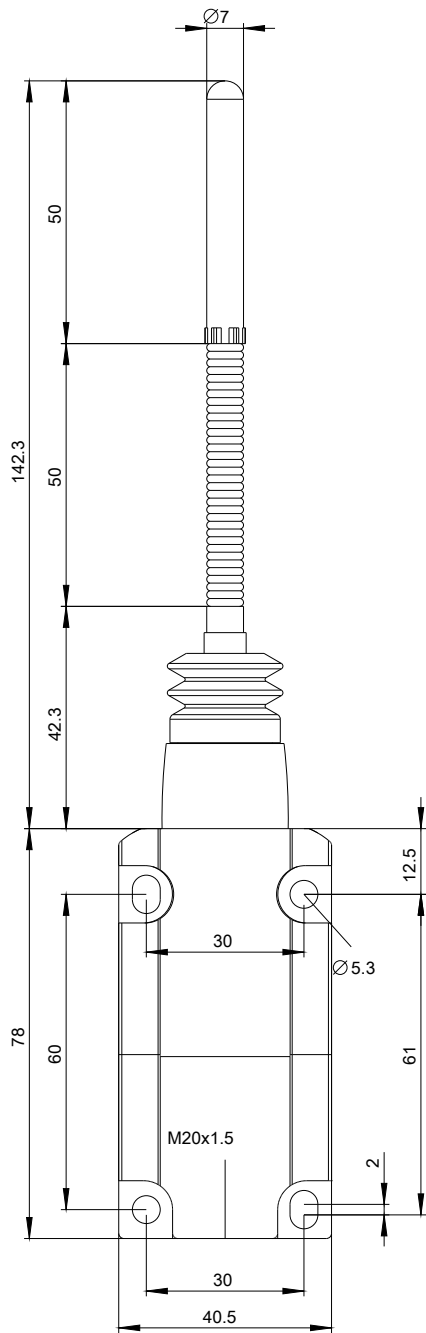
<http://support.automation.siemens.com/WW/CAXorder/default.aspx?lang=en&mlfb=3SE5112-0CR01>

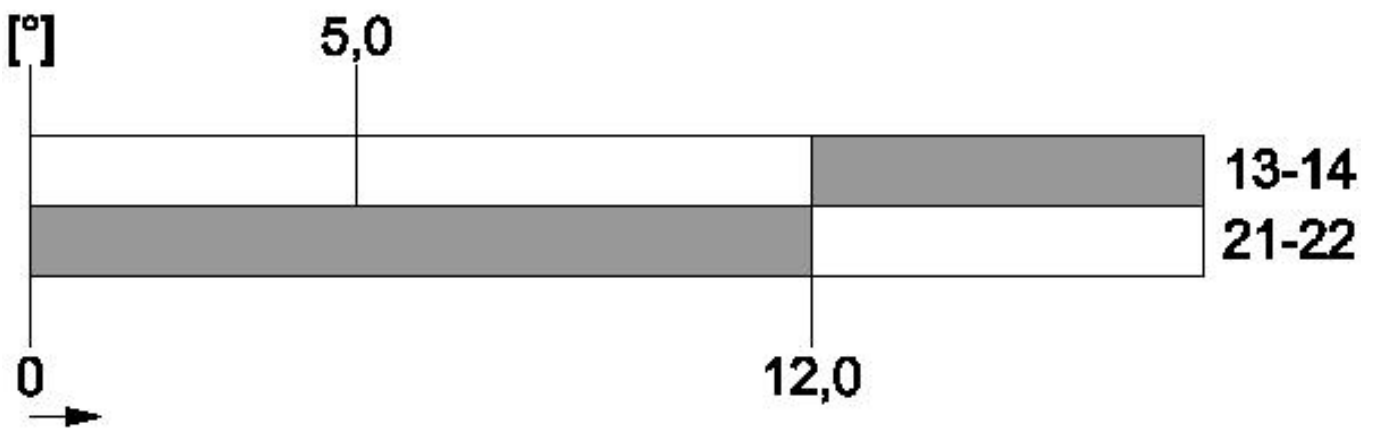
**Service&Support (Manuals, Certificates, Characteristics, FAQs,...)**

<https://support.industry.siemens.com/cs/ww/en/ps/3SE5112-0CR01>

**Image database (product images, 2D dimension drawings, 3D models, device circuit diagrams, EPLAN macros, ...)**

[http://www.automation.siemens.com/bilddb/cax\\_de.aspx?mlfb=3SE5112-0CR01&lang=en](http://www.automation.siemens.com/bilddb/cax_de.aspx?mlfb=3SE5112-0CR01&lang=en)





last modified:

02/27/2017