

INDICATOR LIGHT, 22MM, ROUND, PLASTIC, WHITE, SMOOTH LENS



Figure similar

|                          |                  |
|--------------------------|------------------|
| Product brand name       | SIRIUS ACT       |
| Product designation      | Indicator lights |
| Product type designation | 3SU1             |

| Actuator                                |          |
|---|----------|
| Color                                   |          |
| • of the actuating element              | White    |
| Material of the actuating element       | plastic  |
| Shape of the actuating element          | round    |
| Outer diameter of the actuating element | 29.45 mm |

| Front ring                   |    |
|------------------------------|----|
| Product component front ring | No |

| General technical data           |                                   |
|----------------------------------|-----------------------------------|
| Protection class IP              | IP66, IP67, IP69(IP69K)           |
| Degree of protection NEMA rating | NEMA 1, 2, 3, 3R, 4, 4X, 12       |
| Shock resistance                 |                                   |
| • acc. to IEC 60068-2-27         | Sinusoidal half-wave 50 g / 11 ms |

|  |  |
|--|--|
| <ul style="list-style-type: none"> <li>• for railway applications acc. to DIN EN 61373</li> </ul>  | Category 1, Class B                      |
| <b>Vibration resistance</b> <ul style="list-style-type: none"> <li>• acc. to IEC 60068-2-6</li> <li>• for railway applications acc. to DIN EN 61373</li> </ul> | 10 ... 500 Hz: 5g<br>Category 1, Class B |
| <b>Equipment marking</b> <ul style="list-style-type: none"> <li>• acc. to DIN EN 61346-2</li> <li>• acc. to DIN EN 81346-2</li> </ul>                          | P<br>P                                   |

### Connections/Terminals

|   |               |
|---|---------------|
| <b>Tightening torque of the screws in the bracket</b> | 1 ... 1.2 N·m |
|---|---------------|

### Ambient conditions

|   |   |
|---|---|
| <b>Ambient temperature</b> <ul style="list-style-type: none"> <li>• during operation</li> <li>• during storage</li> </ul> | -25 ... +70 °C<br>-40 ... +80 °C                                    |
| Environmental category during operation acc. to IEC 60721   | 3M6, 3S2, 3B2, 3C3, 3K6 (with relative air humidity of 10 ... 95 %) |

### Installation/ mounting/ dimensions

|  |         |
|--|---------|
| <b>Height</b>                                      | 29.5 mm |
| <b>Width</b>                                       | 29.5 mm |
| <b>Shape of the installation opening</b>           | round   |
| <b>Mounting diameter</b>                           | 22.3 mm |
| <b>Positive tolerance of installation diameter</b> | 0.4 mm  |
| <b>Mounting height</b>                             | 11.8 mm |
| <b>Installation width</b>                          | 29.5 mm |
| <b>Installation depth</b>                          | 24.4 mm |

### Certificates/approvals

| General Product Approval  |   | Declaration of Conformity   |   | Test Certificates  |  |
|---|---|---|---|--|--|
|  |  |  |  | <a href="#">Declaration of the Compliance with the order</a> | <a href="#">Special Test Certificate</a> |
| CSA   | UL  |   | EG-Konf.  |  |  |

### other

[Confirmation](#)

### Further information

Information- and Downloadcenter (Catalogs, Brochures,...)  
<http://www.siemens.com/industrial-controls/catalogs>

**Industry Mall (Online ordering system)**

<https://mall.industry.siemens.com/mall/en/en/Catalog/product?mlfb=3SU1001-6AA60-0AA0>

**Cax online generator**

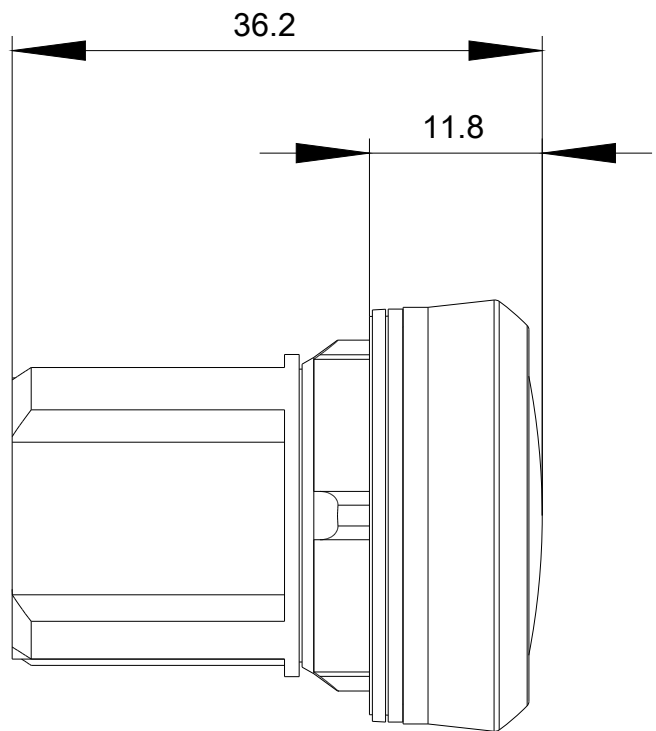
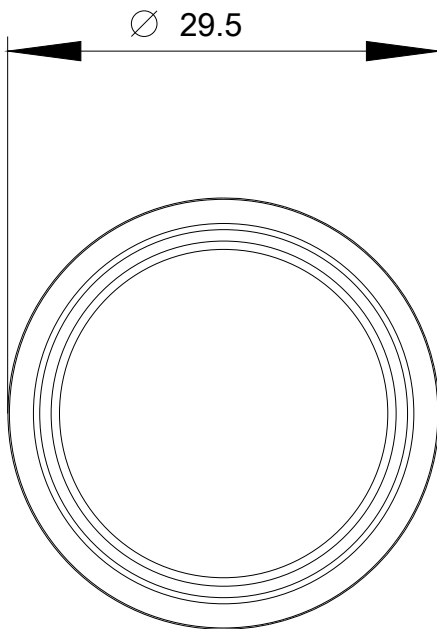
<http://support.automation.siemens.com/WW/CAXorder/default.aspx?lang=en&mlfb=3SU1001-6AA60-0AA0>

**Service&Support (Manuals, Certificates, Characteristics, FAQs,...)**

<https://support.industry.siemens.com/cs/ww/en/ps/3SU1001-6AA60-0AA0>

**Image database (product images, 2D dimension drawings, 3D models, device circuit diagrams, EPLAN macros, ...)**

[http://www.automation.siemens.com/bilddb/cax\\_de.aspx?mlfb=3SU1001-6AA60-0AA0&lang=en](http://www.automation.siemens.com/bilddb/cax_de.aspx?mlfb=3SU1001-6AA60-0AA0&lang=en)



last modified:

09/12/2017