

Selector switch, illuminable, 22 mm, round, metal, shiny, white, selector switch, short, 2 switch positions O-I, latching, actuating angle 90°, 10:30h/13:30h



|                          |                             |
|--------------------------|-----------------------------|
| Product brand name       | SIRIUS ACT                  |
| Product designation      | Selector switches           |
| Design of the product    | Actuating/signaling element |
| Product type designation | 3SU1                        |

| Enclosure                |   |
|--------------------------|---|
| Number of command points | 1 |

| Actuator  |                                 |
|---|---------------------------------|
| Design of the operating mechanism                           | Selector, short                 |
| Manner of function of the actuating element                 | latching, 90° (10:30 h/13:30 h) |
| Product extension optional Light source                     | Yes                             |
| Color of the actuating element                              | White                           |
| Material of the actuating element                           | plastic                         |
| Shape of the actuating element                              | Handle                          |
| Outer diameter of the actuating element                     | 32.3 mm                         |
| Number of switching positions                               | 2                               |
| Actuating angle   | 90°                             |
| <ul style="list-style-type: none"> <li>clockwise</li> </ul> |                                 |

| Front ring |
|------------|
|------------|

|                              |                   |
|------------------------------|-------------------|
| Product component front ring | Yes               |
| Design of the front ring     | standard          |
| Material of the front ring   | Metal, high gloss |
| Color of the front ring      | silver            |

#### General technical data

|  |                                   |
|--|-----------------------------------|
| Protection class IP                        | IP66, IP67, IP69(IP69K)           |
| Degree of protection NEMA rating           | NEMA 1, 2, 3, 3R, 4, 4X, 12, 13   |
| Shock resistance                           |                                   |
| • acc. to IEC 60068-2-27                   | Sinusoidal half-wave 50 g / 11 ms |
| Operating frequency maximum                | 1 800 1/h                         |
| Mechanical service life (switching cycles) |                                   |
| • typical                                  | 1 000 000                         |
| Reference code acc. to DIN EN 81346-2      | S                                 |
| Reference code acc. to DIN EN 61346-2      | S                                 |

#### Safety related data

|  |         |
|--|---------|
| B10 value  |         |
| • with high demand rate acc. to SN 31920                           | 100 000 |
| Proportion of dangerous failures                                   |         |
| • with low demand rate acc. to SN 31920                            | 20 %    |
| • with high demand rate acc. to SN 31920                           | 20 %    |
| Failure rate [FIT]   |         |
| • with low demand rate acc. to SN 31920                            | 100 FIT |
| T1 value for proof test interval or service life acc. to IEC 61508 | 20 y    |

#### Ambient conditions

|   |   |
|---|---|
| Ambient temperature                                       |   |
| • during operation  | -25 ... +70 °C  |
| • during storage  | -40 ... +80 °C  |
| Environmental category during operation acc. to IEC 60721 | 3M6, 3S2, 3B2, 3C3, 3K6 (with relative air humidity of 10 ... 95 %) |

#### Installation/ mounting/ dimensions

|   |         |
|---|---------|
| (height)                                    | 32.3 mm |
| Width                                       | 32.3 mm |
| Shape of the installation opening           | round   |
| Mounting diameter                           | 22.3 mm |
| Positive tolerance of installation diameter | 0.4 mm  |
| Mounting height                             | 28.8 mm |
| Installation width                          | 32.3 mm |
| Installation depth                          | 25.4 mm |

#### Certificates/approvals

| General Product Approval | Declaration of Conformity | Test Certificates |
|--------------------------|---------------------------|-------------------|
|--------------------------|---------------------------|-------------------|



[Miscellaneous](#)

[Type Test Certificates/Test Report](#)

### Marine / Shipping



### other

[Confirmation](#)

### Further information

**Information- and Downloadcenter (Catalogs, Brochures,...)**

<http://www.siemens.com/industrial-controls/catalogs>

**Industry Mall (Online ordering system)**

<https://mall.industry.siemens.com/mall/en/en/Catalog/product?mlfb=3SU1052-2BF60-0AA0>

**Cax online generator**

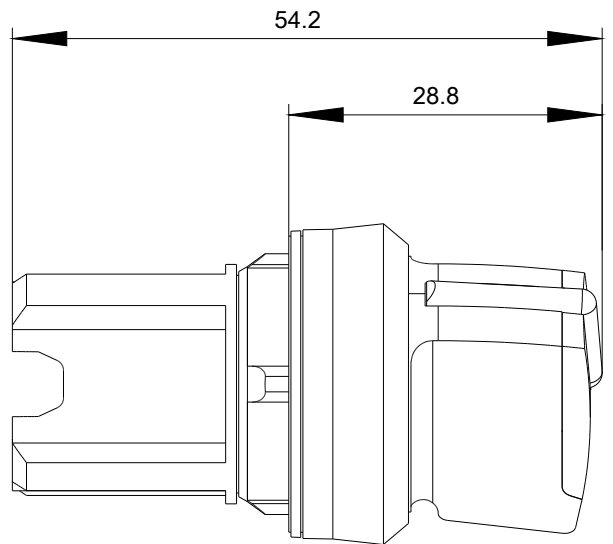
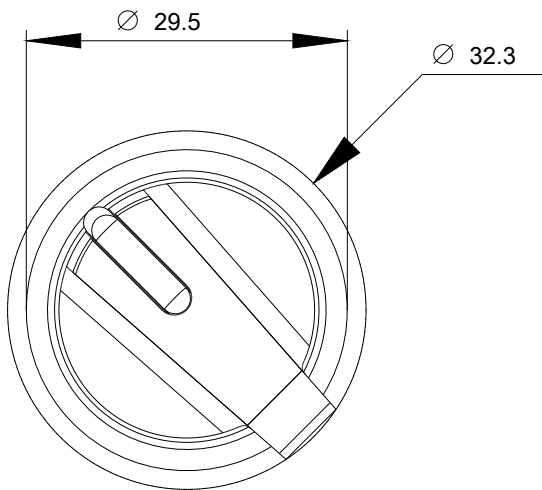
<http://support.automation.siemens.com/WW/CAXorder/default.aspx?lang=en&mlfb=3SU1052-2BF60-0AA0>

**Service&Support (Manuals, Certificates, Characteristics, FAQs,...)**

<https://support.industry.siemens.com/cs/ww/en/ps/3SU1052-2BF60-0AA0>

**Image database (product images, 2D dimension drawings, 3D models, device circuit diagrams, EPLAN macros, ...)**

[http://www.automation.siemens.com/bilddb/cax\\_de.aspx?mlfb=3SU1052-2BF60-0AA0&lang=en](http://www.automation.siemens.com/bilddb/cax_de.aspx?mlfb=3SU1052-2BF60-0AA0&lang=en)



last modified:

07/25/2019