

LED MODULE WITH INTEGRATED LED 110V AC, RED, SCREW  
TERMINAL, FOR FRONT PLATE MOUNTING



Figure similar

Product brand name	SIRIUS ACT
Product designation	LED module
Product type designation	3SU1

### General technical data

<b>Product component</b>	
• diode	Yes
• lamp transformer	No
• Light source	Yes
• series resistor	No
<b>Insulation voltage</b>	
• rated value	320 V
<b>Degree of pollution</b>	3
<b>Type of voltage</b>	
• of the operating voltage	AC
• for actuation	AC
<b>Surge voltage resistance rated value</b>	4 kV
<b>Consumed current</b>	

<ul style="list-style-type: none"> <li>• maximum</li> </ul>	20 mA
<b>Protection class IP</b>	
<ul style="list-style-type: none"> <li>• of the enclosure</li> </ul>	IP40
<ul style="list-style-type: none"> <li>• of the terminal</li> </ul>	IP20
<b>Shock resistance</b>	
<ul style="list-style-type: none"> <li>• acc. to IEC 60068-2-27</li> </ul>	Sinusoidal half-wave 50 g / 11 ms
<ul style="list-style-type: none"> <li>• for railway applications acc. to DIN EN 61373</li> </ul>	Category 1, Class B
<b>Vibration resistance</b>	
<ul style="list-style-type: none"> <li>• acc. to IEC 60068-2-6</li> </ul>	10 ... 500 Hz: 5g
<ul style="list-style-type: none"> <li>• for railway applications acc. to DIN EN 61373</li> </ul>	Category 1, Class B
<b>Operating period typical</b>	100 000 h
<b>Equipment marking</b>	
<ul style="list-style-type: none"> <li>• acc. to DIN EN 61346-2</li> </ul>	P
<ul style="list-style-type: none"> <li>• acc. to DIN EN 81346-2</li> </ul>	P

### Main circuit

<b>Operating voltage 1</b>	
<ul style="list-style-type: none"> <li>• at AC</li> </ul>	
<ul style="list-style-type: none"> <li>— at 50 Hz rated value</li> </ul>	110 V
<ul style="list-style-type: none"> <li>— at 60 Hz rated value</li> </ul>	110 V
<b>Relative positive tolerance of the operating voltage</b>	20 %
<b>Relative negative tolerance of the operating voltage</b>	20 %

### Connections/Terminals

<b>Type of electrical connection</b>	screw-type terminals
<b>Type of connectable conductor cross-sections</b>	
<ul style="list-style-type: none"> <li>• solid with core end processing</li> </ul>	2x (0.5 ... 0.75 mm <sup>2</sup> )
<ul style="list-style-type: none"> <li>• solid without core end processing</li> </ul>	2x (1.0 ... 1.5 mm <sup>2</sup> )
<ul style="list-style-type: none"> <li>• finely stranded with core end processing</li> </ul>	2x (0.5 ... 1.5 mm <sup>2</sup> )
<ul style="list-style-type: none"> <li>• finely stranded without core end processing</li> </ul>	2x (1,0 ... 1,5 mm <sup>2</sup> )
<ul style="list-style-type: none"> <li>• at AWG conductors</li> </ul>	2x (18 ... 14)
<b>Tightening torque</b>	
<ul style="list-style-type: none"> <li>• with screw-type terminals</li> </ul>	0.8 ... 0.9 N·m

### Lamp

<b>Type of light source</b>	LED
<b>Color of the light source</b>	red
<b>Light intensity</b>	450 ... 1 120 mcd

### Ambient conditions

<b>Ambient temperature</b>	
<ul style="list-style-type: none"> <li>• during operation</li> </ul>	-25 ... +70 °C
<ul style="list-style-type: none"> <li>• during storage</li> </ul>	-40 ... +80 °C
Environmental category during operation acc. to IEC 60721	3M6, 3S2, 3B2, 3K6 (with relative air humidity of 10 ... 95 %, no condensation in operation permitted)

## Installation/ mounting/ dimensions

<b>Mounting type</b>	Front plate mounting
• of modules and accessories	
<b>Height</b>	33.2 mm
<b>Width</b>	9.8 mm
<b>Depth</b>	29.4 mm

## Certificates/approvals

General Product Approval	EMC	Declaration of Conformity
 CCC	 EAC	 EG-Konf.
 CSA	 C-Tick	
 UL		

Test Certificates	other
<a href="#">Declaration of the Compliance with the order</a>	<a href="#">Confirmation</a>
<a href="#">Special Test Certificate</a>	

## Further information

### Information- and Downloadcenter (Catalogs, Brochures,...)

<http://www.siemens.com/industrial-controls/catalogs>

### Industry Mall (Online ordering system)

<https://mall.industry.siemens.com/mall/en/en/Catalog/product?mlfb=3SU1401-1BC20-1AA0>

### Cax online generator

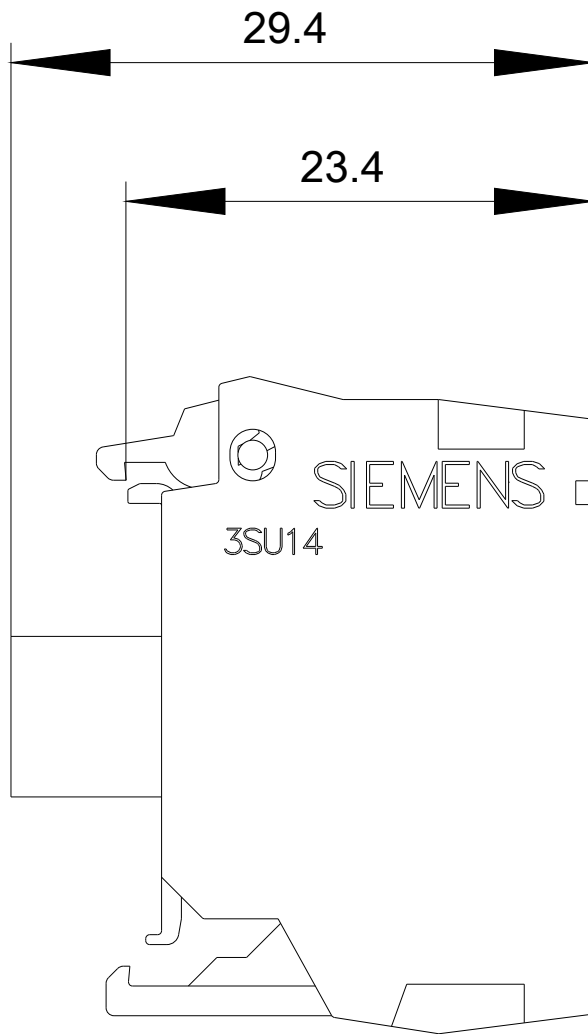
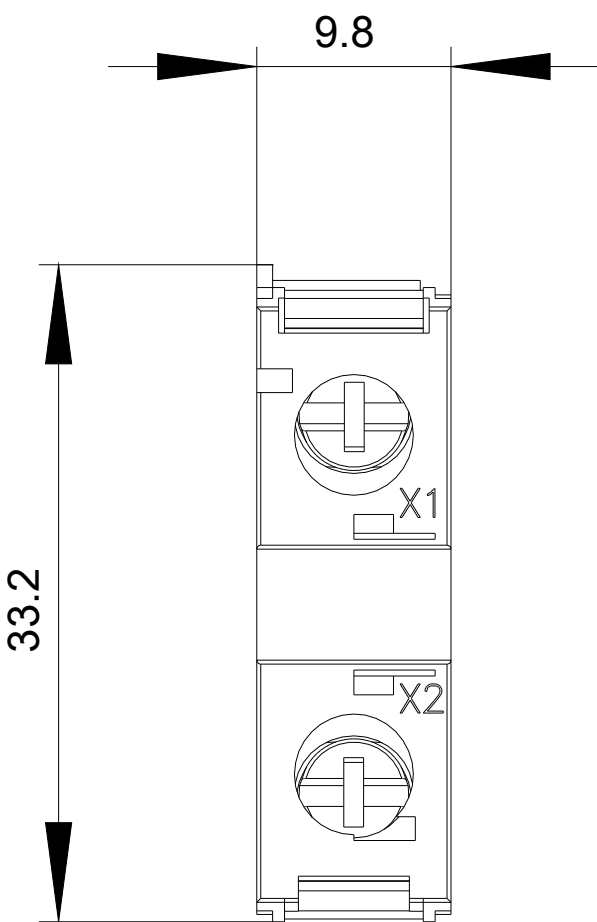
<http://support.automation.siemens.com/WW/CAXorder/default.aspx?lang=en&mlfb=3SU1401-1BC20-1AA0>

### Service&Support (Manuals, Certificates, Characteristics, FAQs,...)

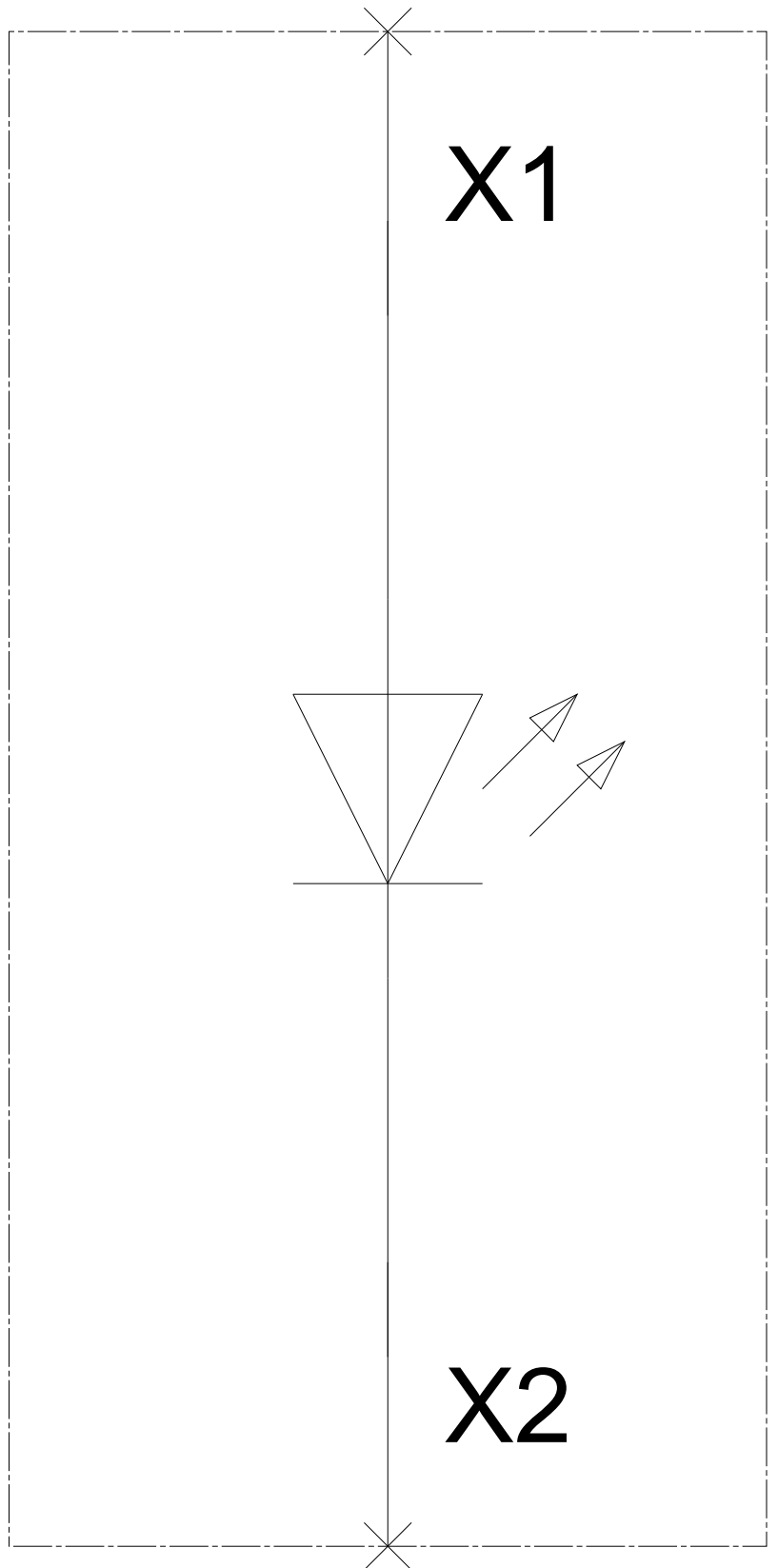
<https://support.industry.siemens.com/cs/ww/en/ps/3SU1401-1BC20-1AA0>

### Image database (product images, 2D dimension drawings, 3D models, device circuit diagrams, EPLAN macros, ...)

[http://www.automation.siemens.com/bilddb/cax\\_de.aspx?mlfb=3SU1401-1BC20-1AA0&lang=en](http://www.automation.siemens.com/bilddb/cax_de.aspx?mlfb=3SU1401-1BC20-1AA0&lang=en)



**-P**  
**110 V AC**



last modified:

09/25/2017