

LED MODULE WITH INTEGRATED LED 230V AC, RED, SCREW
TERMINAL, FOR FRONT PLATE MOUNTING



Figure similar

| | |
|--------------------------|------------|
| Product brand name | SIRIUS ACT |
| Product designation | LED module |
| Product type designation | 3SU1 |

| General technical data | |
|---|-------|
| Product component | |
| • diode | Yes |
| • lamp transformer | No |
| • Light source | Yes |
| • series resistor | No |
| Insulation voltage | |
| • rated value | 320 V |
| Degree of pollution | 3 |
| Type of voltage | |
| • of the operating voltage | AC |
| • for actuation | AC |
| Surge voltage resistance rated value | 4 kV |
| Consumed current | |

| | |
|---|-----------------------------------|
| <ul style="list-style-type: none"> • maximum | 20 mA |
| Protection class IP | |
| <ul style="list-style-type: none"> • of the enclosure | IP40 |
| <ul style="list-style-type: none"> • of the terminal | IP20 |
| Shock resistance | |
| <ul style="list-style-type: none"> • acc. to IEC 60068-2-27 | Sinusoidal half-wave 50 g / 11 ms |
| <ul style="list-style-type: none"> • for railway applications acc. to DIN EN 61373 | Category 1, Class B |
| Vibration resistance | |
| <ul style="list-style-type: none"> • acc. to IEC 60068-2-6 | 10 ... 500 Hz: 5g |
| <ul style="list-style-type: none"> • for railway applications acc. to DIN EN 61373 | Category 1, Class B |
| Operating period typical | 100 000 h |
| Equipment marking | |
| <ul style="list-style-type: none"> • acc. to DIN EN 61346-2 | P |
| <ul style="list-style-type: none"> • acc. to DIN EN 81346-2 | P |

Main circuit

| | |
|--|-------|
| Operating voltage 1 | |
| <ul style="list-style-type: none"> • at AC | |
| <ul style="list-style-type: none"> — at 50 Hz rated value | 230 V |
| <ul style="list-style-type: none"> — at 60 Hz rated value | 230 V |
| Relative positive tolerance of the operating voltage | 20 % |
| Relative negative tolerance of the operating voltage | 20 % |

Connections/Terminals

| | |
|---|------------------------------------|
| Type of electrical connection | screw-type terminals |
| Type of connectable conductor cross-sections | |
| <ul style="list-style-type: none"> • solid with core end processing | 2x (0.5 ... 0.75 mm ²) |
| <ul style="list-style-type: none"> • solid without core end processing | 2x (1.0 ... 1.5 mm ²) |
| <ul style="list-style-type: none"> • finely stranded with core end processing | 2x (0.5 ... 1.5 mm ²) |
| <ul style="list-style-type: none"> • finely stranded without core end processing | 2x (1,0 ... 1,5 mm ²) |
| <ul style="list-style-type: none"> • at AWG conductors | 2x (18 ... 14) |
| Tightening torque | |
| <ul style="list-style-type: none"> • with screw-type terminals | 0.8 ... 0.9 N·m |

Lamp

| | |
|----------------------------------|-------------------|
| Type of light source | LED |
| Color of the light source | red |
| Light intensity | 450 ... 1 120 mcd |

Ambient conditions

| | |
|--|--|
| Ambient temperature | |
| <ul style="list-style-type: none"> • during operation | -25 ... +70 °C |
| <ul style="list-style-type: none"> • during storage | -40 ... +80 °C |
| Environmental category during operation acc. to IEC 60721 | 3M6, 3S2, 3B2, 3K6 (with relative air humidity of 10 ... 95 %, no condensation in operation permitted) |

Installation/ mounting/ dimensions

| | |
|------------------------------|----------------------|
| Mounting type | Front plate mounting |
| • of modules and accessories | |
| Height | 33.2 mm |
| Width | 9.8 mm |
| Depth | 29.4 mm |

Certificates/approvals

| General Product Approval | EMC | Declaration of Conformity |
|--|---|---|
|  CCC |  EAC |  EG-Konf. |
|  CSA |  C-Tick | |
|  UL | | |

| Test Certificates | other |
|--|------------------------------|
| Declaration of the Compliance with the order | Confirmation |
| Special Test Certificate | |

Further information

Information- and Downloadcenter (Catalogs, Brochures,...)

<http://www.siemens.com/industrial-controls/catalogs>

Industry Mall (Online ordering system)

<https://mall.industry.siemens.com/mall/en/en/Catalog/product?mlfb=3SU1401-1BF20-1AA0>

Cax online generator

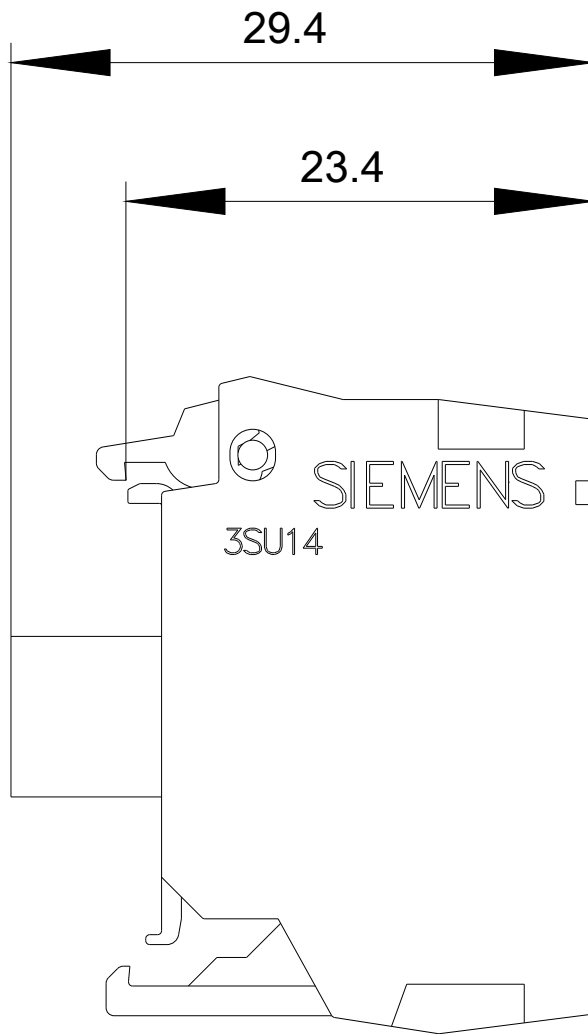
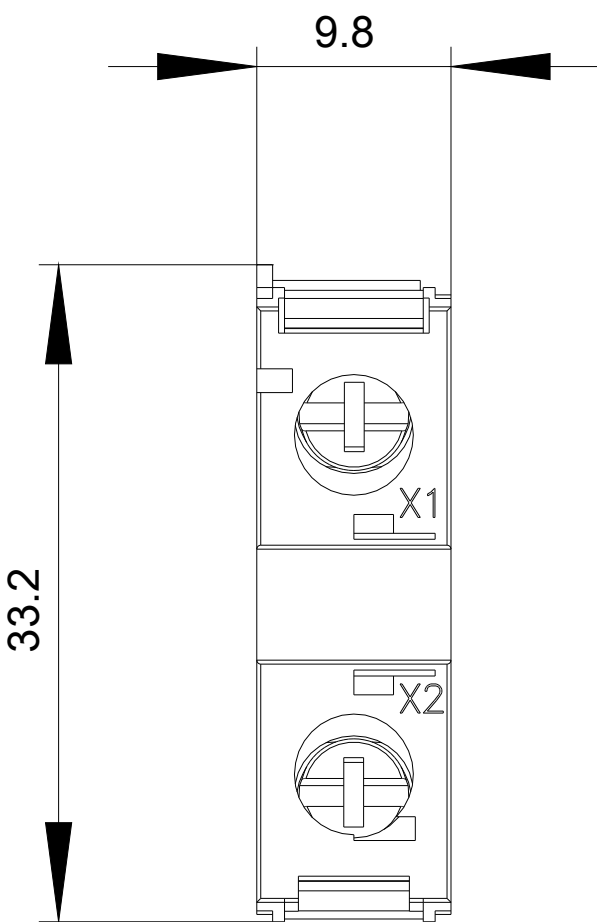
<http://support.automation.siemens.com/WW/CAXorder/default.aspx?lang=en&mlfb=3SU1401-1BF20-1AA0>

Service&Support (Manuals, Certificates, Characteristics, FAQs,...)

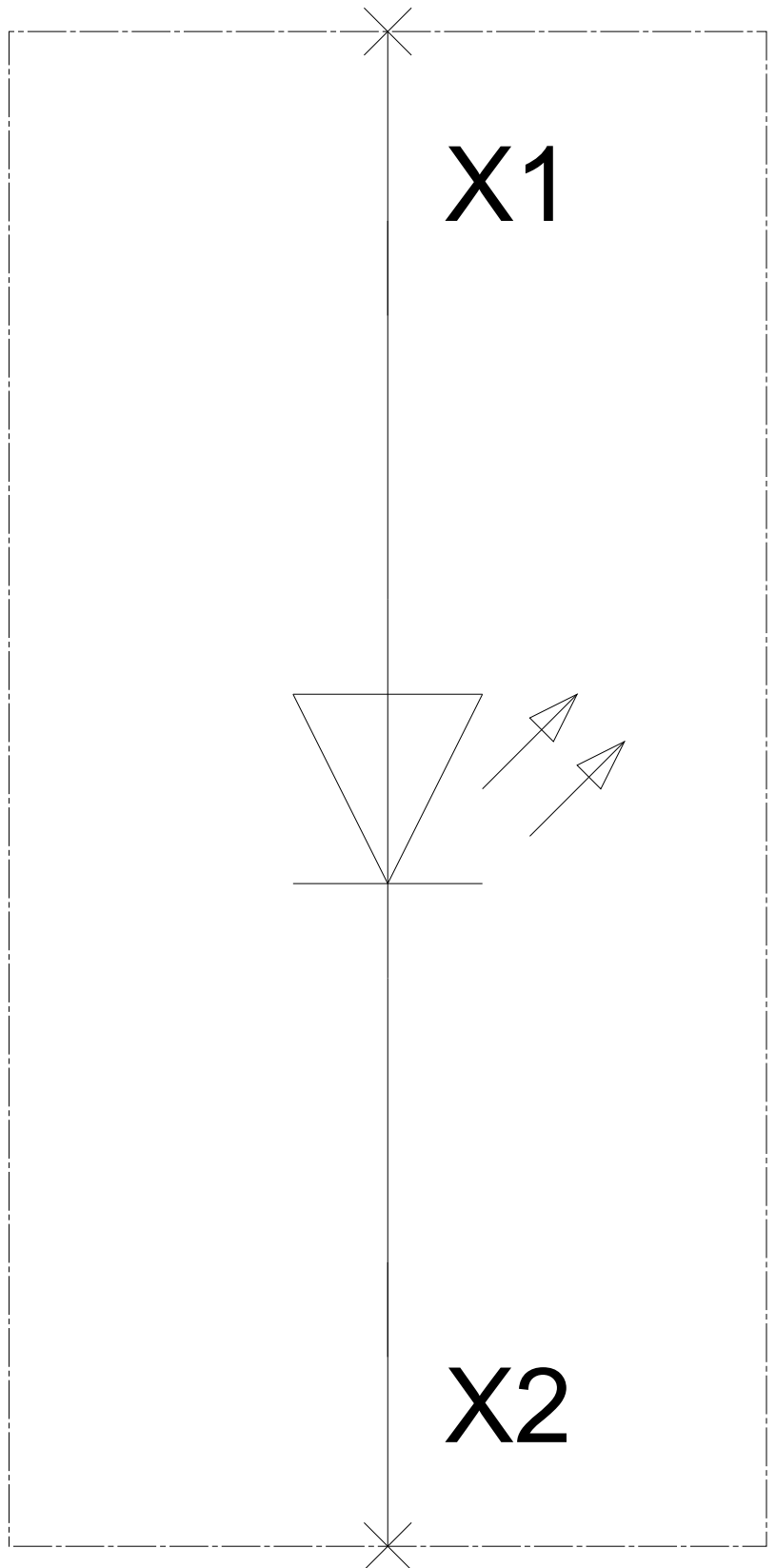
<https://support.industry.siemens.com/cs/ww/en/ps/3SU1401-1BF20-1AA0>

Image database (product images, 2D dimension drawings, 3D models, device circuit diagrams, EPLAN macros, ...)

http://www.automation.siemens.com/bilddb/cax_de.aspx?mlfb=3SU1401-1BF20-1AA0&lang=en



-P
230 V AC



last modified:

09/25/2017