

Label holder, 22mm, frame rectangular at the bottom, black, for labeling plate 12.5 mm x 27 mm, for gluing

product brand name	SIRIUS ACT
product designation	Label holder
design of the product	for labeling plate 12.5 x 27 mm
product type designation	3SU1

General technical data	
protection class IP	IP66, IP67, IP69(IP69K)
degree of protection NEMA rating	1, 2, 3, 3R, 4, 4X, 12
shock resistance for railway applications acc. to DIN EN 61373	Category 1, Class B
vibration resistance for railway applications acc. to DIN EN 61373	Category 1, Class B
Substance Prohibance (Date)	01.10.2014 00:00:00

Installation/ mounting/ dimensions	
height	44.8 mm
width	29.8 mm

Accessories	
material of accessory	Plastic
shape of label holder	square at bottom
color of label holder	Black
fastening method of label	stick

Certificates/ approvals		
General Product Approval	Declaration of Conformity	Test Certificates



[UK Declaration of Conformity](#)

[Type Test Certificates/Test Report](#)

Marine / Shipping	other
-------------------	-------



[Confirmation](#)

Further information

Information- and Downloadcenter (Catalogs, Brochures,...)
<https://www.siemens.com/ic10>

Industry Mall (Online ordering system)

<https://mall.industry.siemens.com/mall/en/en/Catalog/product?mfb=3SU1900-0AN10-0AA0>

Cax online generator

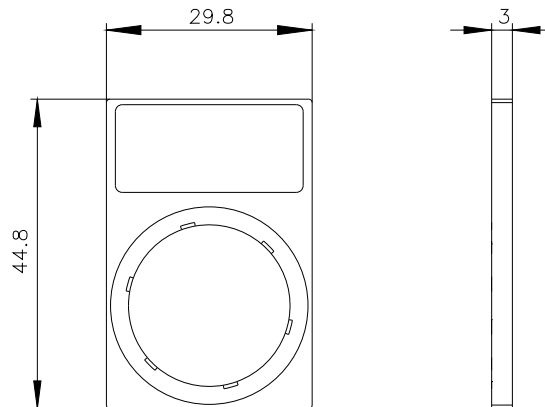
<http://support.automation.siemens.com/WW/CAXorder/default.aspx?lang=en&mfb=3SU1900-0AN10-0AA0>

Service&Support (Manuals, Certificates, Characteristics, FAQs,...)

<https://support.industry.siemens.com/cs/ww/en/ps/3SU1900-0AN10-0AA0>

Image database (product images, 2D dimension drawings, 3D models, device circuit diagrams, EPLAN macros, ...)

http://www.automation.siemens.com/bilddb/cax_de.aspx?mfb=3SU1900-0AN10-0AA0&lang=en



last modified:

1/18/2021 