

SEALING PLUG FOR SPARE ROUND COMMAND POINTS, 22 mm, PLASTIC, BLACK



Figure similar

Product brand name	SIRIUS ACT
Product designation	Sealing plug
Product type designation	3SU1
Actuator	
Shape of the actuating element	round
Outer diameter of the actuating element	29.5 mm
General technical data	
Protection class IP	IP66, IP67, IP69(IP69K)
Degree of protection NEMA rating	NEMA 1, 2, 3, 3R, 4, 4X, 12
Equipment marking	<ul style="list-style-type: none"> • acc. to DIN EN 61346-2 S • acc. to DIN EN 81346-2 S
Ambient conditions	
Ambient temperature	<ul style="list-style-type: none"> • during operation -25 ... +70 °C • during storage -40 ... +80 °C

Environmental category during operation acc. to IEC 60721	3M6, 3S2, 3B2, 3C3, 3K6 (with relative air humidity of 10 ... 95 %)
---	---





Installation/ mounting/ dimensions

Shape of the installation opening	round
Mounting diameter	22.3 mm
Positive tolerance of installation diameter	0.4 mm
Mounting height	6.5 mm
Installation width	29.5 mm
Installation depth	24.2 mm

Accessories

Material of accessory	Plastic
Color of accessory	black

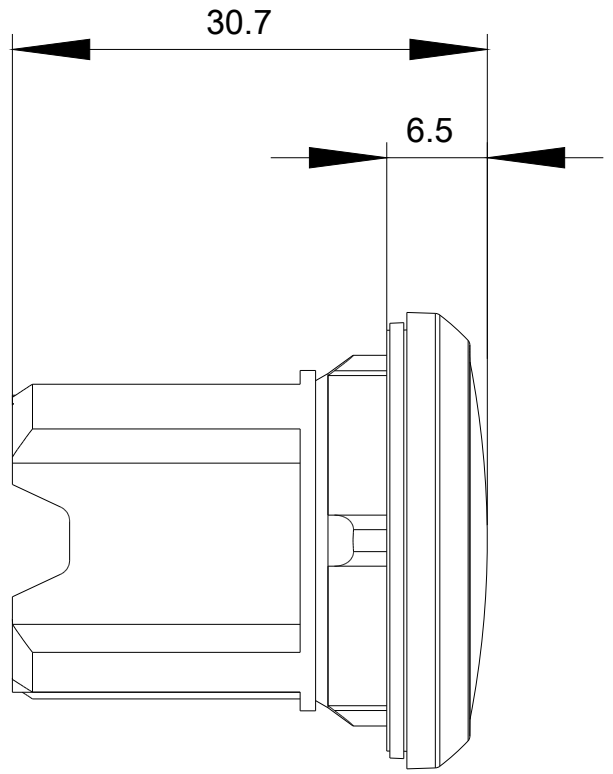
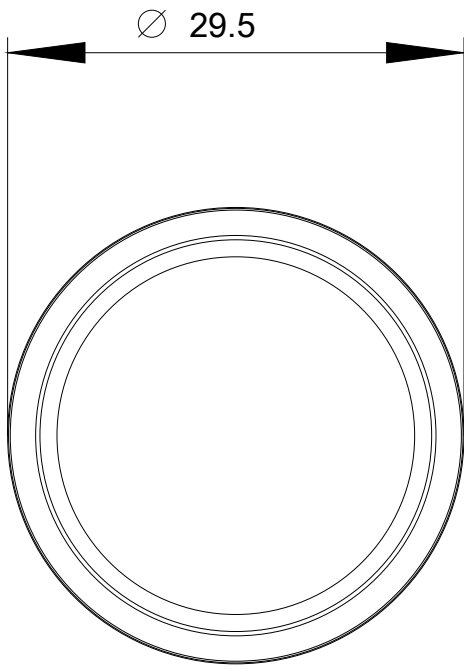
Certificates/approvals

General Product Approval	EMC	Declaration of Conformity	Test Certificates
 CSA	 UL	 EAC	 EG-Konf.
	EC-Declaration of Conformity EMC		Declaration of the Compliance with the order

Test Certificates	other
Special Test Certificate	Confirmation

Further information

- Information- and Downloadcenter (Catalogs, Brochures,...)**
<http://www.siemens.com/industrial-controls/catalogs>
- Industry Mall (Online ordering system)**
<https://mall.industry.siemens.com/mall/en/en/Catalog/product?mfb=3SU1900-0FA10-0AA0>
- Cax online generator**
<http://support.automation.siemens.com/WW/CAXorder/default.aspx?lang=en&mfb=3SU1900-0FA10-0AA0>
- Service&Support (Manuals, Certificates, Characteristics, FAQs,...)**
<https://support.industry.siemens.com/cs/ww/en/ps/3SU1900-0FA10-0AA0>
- Image database (product images, 2D dimension drawings, 3D models, device circuit diagrams, EPLAN macros, ...)**
http://www.automation.siemens.com/bilddb/cax_de.aspx?mfb=3SU1900-0FA10-0AA0&lang=en



last modified:

09/25/2017