

SEPARATE ACTUATOR, TRANSVERSE MOUNTING,  
HORIZONTAL FOR 3SE.120-XX, 3SE.83,  
3SE.84

Further information:

Information- and Downloadcenter (Catalogs, Brochures,...)

<http://www.siemens.com/lowvoltage/catalogs>

Global Industry Mall (Online ordering system)

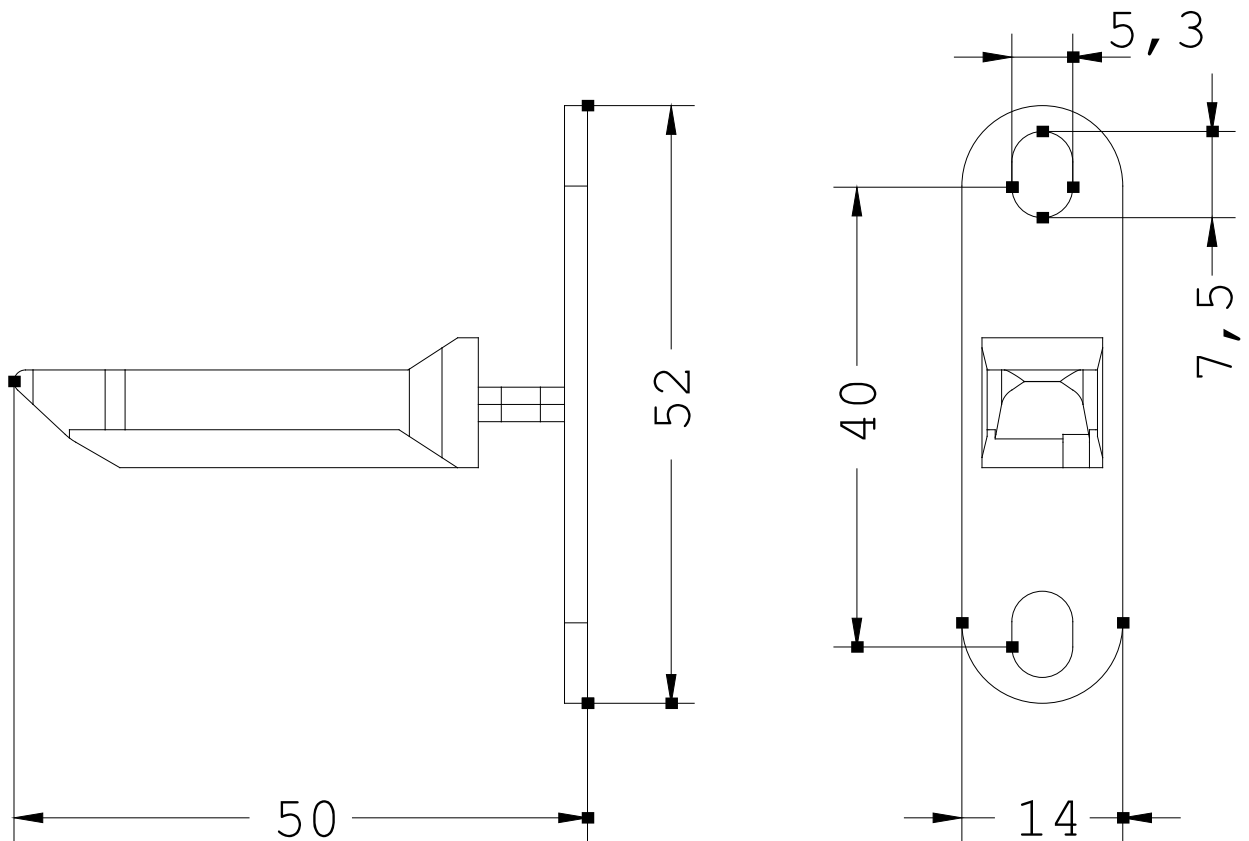
<http://www.siemens.com/lowvoltage/mall>

Service&Support (Manuals, Certificates, Characteristics, FAQs,...)

<http://support.automation.siemens.com/WW/view/en/3SX3206/all>

Image database (product images, 2D dimension drawings, 3D models, device circuit diagrams, ...)

[http://www.automation.siemens.com/bilddb/cax\\_en.aspx?mlfb=3SX3206](http://www.automation.siemens.com/bilddb/cax_en.aspx?mlfb=3SX3206)



last change: