

BASIC UNIT 3 SIMOCODE PRO PN; ETHERNET / PROFINET IO; OPC UA SERVER; PN SYSTEM REDUNDANCY; WEB SERVER; TRANSMISSION RATE 100MBIT/S; 2 X BUS CONNECTION VIA RJ45 4E/3A FREELY PARAMETERIZABLE; US: AC/DC 110-240V; INPUT F. THERMISTOR CONNECTION; MONOSTABLE RELAY OUTPUTS; EXPANDABLE WITH EXPANSION MODULE



product brandname	SIRIUS
Product designation	SIMOCODE pro V PN Motor Management System
Design of the product	basic unit 3

General technical data

Product function	
• data acquisition function	Yes
• Diagnostics function	Yes
• Password protection	Yes
• Test function	Yes
• maintenance function	Yes
Product component	
• Digital input	Yes
• input for analog temperature sensors	No
• input for ground fault detection	No
• Relay output	Yes
Product extension	
• Temperature monitoring module	Yes
• Current measuring module	Yes

• Current/voltage measuring module	Yes
• failsafe digital I/O module	Yes
• Ground fault monitoring module	Yes
• decoupling module	Yes
• digital I/O module	Yes
• Control unit with display	Yes
• Control unit	Yes
• analog I/O module	Yes
Power loss [W] total typical	8 W
Insulation voltage	
• with degree of pollution 3 rated value	300 V
Surge voltage resistance rated value	4 000 V
Protection class IP	IP20
Shock resistance	
• acc. to IEC 60068-2-27	15g / 11 ms
Vibration resistance	1-6 Hz / 15 mm; 6-500 Hz / 2 g
Switching behavior	monostable
Switching capacity current of the NO contacts of the relay outputs at AC-15	
• at 24 V	6 A
• at 120 V	6 A
• at 230 V	3 A
Switching capacity current of the NO contacts of the relay outputs at DC-13	
• at 24 V	2 A
• at 60 V	0.55 A
Mechanical service life (switching cycles)	
• typical	10 000 000
Electrical endurance (switching cycles)	
• typical	100 000
Equipment marking	
• acc. to DIN EN 81346-2	F
Continuous current of the NO contacts of the relay outputs	
• at 50 °C	6 A
• at 60 °C	5 A
Type of input characteristic	Type 1 in accordance with EN 61131-2
Electromagnetic compatibility	
EMC emitted interference	
• acc. to IEC 60947-1	class A
EMI immunity acc. to IEC 60947-1	corresponds to degree of severity 3
Conducted interference	

<ul style="list-style-type: none"> • due to burst acc. to IEC 61000-4-4 	2 kV (power ports) / 1 kV (signal ports)
<ul style="list-style-type: none"> • due to conductor-earth surge acc. to IEC 61000-4-5 	2 kV
<ul style="list-style-type: none"> • due to conductor-conductor surge acc. to IEC 61000-4-5 	1 kV
<ul style="list-style-type: none"> • due to high-frequency radiation acc. to IEC 61000-4-6 	10 V
Field-bound parasitic coupling acc. to IEC 61000-4-3	10 V/m
Electrostatic discharge acc. to IEC 61000-4-2	6 kV contact discharge / 8 kV air discharge
Conducted HF-interference emissions acc. to CISPR11	corresponds to degree of severity A
Field-bound HF-interference emission acc. to CISPR11	corresponds to degree of severity A

Inputs/ Outputs

Product function	
<ul style="list-style-type: none"> • Parameterizable inputs 	Yes
<ul style="list-style-type: none"> • Parameterizable outputs 	Yes
Number of inputs	4
<ul style="list-style-type: none"> • for thermistor connection 	1
Number of digital inputs	
<ul style="list-style-type: none"> • with a common reference potential 	4
Digital input version	
<ul style="list-style-type: none"> • Type 1 acc. to IEC 61131 	Yes
Input voltage at digital input at DC rated value	24 V
Number of outputs	3
Number of outputs as contact-affected switching element	3
Number of semiconductor outputs	0
Wire length for digital signals maximum	300 m
Wire length for thermistor connection	
<ul style="list-style-type: none"> • with conductor cross-section = 0.5 mm² maximum 	50 m
<ul style="list-style-type: none"> • with conductor cross-section = 1.5 mm² maximum 	150 m
<ul style="list-style-type: none"> • with conductor cross-section = 2.5 mm² maximum 	250 m

Interfaces

Number of interfaces	
<ul style="list-style-type: none"> • acc. to PROFINET 	2
<ul style="list-style-type: none"> • acc. to PROFIBUS 	0

Protective and monitoring functions

Product function	
<ul style="list-style-type: none"> • Phase unbalance 	Yes

• blocking current evaluation	Yes
• power factor monitoring	Yes
• Ground fault detection	Yes
• Phase failure detection	Yes
• phase sequence recognition	Yes
• voltage detection	Yes
• Monitoring of number of start operations	Yes
• Overvoltage detection	Yes
• Overcurrent detection 1 phase	Yes
• undervoltage detection	Yes
• undercurrent detection 1 phase	Yes
• active power measurement	Yes
• active power monitoring	Yes

Motor protection functions

Product function	
• Current detection	Yes
• Overload protection	Yes
• Evaluation of thermistor motor protection	Yes
Response value of thermoresistor	3 800 ... 3 400 Ω
Release value of thermoresistor	1 500 ... 1 650 Ω
Explosion device group and category acc. to ATEX product directive 94/9/EC	Ex II (2) GD / Ex I (M2)

Motor control functions

Product function	
• parameterizable overload relay	Yes
• circuit breaker control	Yes
• direct start	Yes
• reverse starting	Yes
• star-delta circuit	Yes
• star-delta reversing circuit	Yes
• Dahlander circuit	Yes
• Dahlander reversing circuit	Yes
• pole-changing switch circuit	Yes
• pole-changing switch reversing circuit	Yes
• Slide control	Yes
• valve control	Yes

Communication/ Protocol

Product function Bus communication	Yes
Protocol is supported	
• PROFIBUS DP protocol	No

• PROFINET IO protocol	Yes
• PROFI-safe protocol	Yes
• Modbus RTU	No
• LLDP	Yes
• Address Resolution Protocol (ARP)	Yes
• SNMP	Yes
• HTTPS	Yes
• OPC UA Server	Yes
• NTP	Yes
• Media Redundancy Protocol (MRP)	Yes
Product function	
• web server	Yes
• shared device	Yes
• at the Ethernet interface Autonegotiation	Yes
• at the Ethernet interface Autosensing	Yes
• MRRT redundancy procedure	Yes
• is supported PROFINET system redundancy	Yes
• supports PROFIenergy measured values	Yes
• supports PROFIenergy shutdown	Yes

Installation/ mounting/ dimensions	
Mounting position	any
Mounting type	screw and snap-on mounting
Height	111 mm
Width	45 mm
Depth	124 mm

Connections/Terminals	
Product function	
• removable terminal for auxiliary and control circuit	Yes
Type of electrical connection	
• for auxiliary and control current circuit	screw-type terminals
Type of connectable conductor cross-sections	
• solid	1x (0.5 ... 4.0 mm ²), 2x (0.5 ... 2.5 mm ²)
• finely stranded with core end processing	1x (0.5 ... 2.5 mm ²), 2x (0.5 ... 1.5 mm ²)
• at AWG conductors solid	1x (20 ... 12), 2x (20 ... 14)
• at AWG conductors stranded	1x (20 ... 14), 2x (20 ... 16)
Tightening torque	
• with screw-type terminals	0.8 ... 1.2 N·m
Tightening torque [lbf·in]	
• with screw-type terminals	7 ... 10.3 lbf·in

Ambient conditions

Ambient temperature	
<ul style="list-style-type: none"> during operation during storage during transport 	<p>-25 ... +60 °C</p> <p>-40 ... +80 °C</p> <p>-40 ... +80 °C</p>
Environmental category during operation acc. to IEC 60721	3K6 (no formation of ice, no condensation), 3C3 (no salt mist), 3S2 (sand must not get into the devices), 3M6
Relative humidity during operation	5 ... 95 %
Contact rating of auxiliary contacts according to UL	B300 / R300

Short-circuit protection

Design of short-circuit protection	
<ul style="list-style-type: none"> per output 	Fuse links: gG 6 A, quick-response 10 A (IEC 60947-5-1), miniature circuit-breaker C char.: 1.6 A (IEC 60947-5-1) or 6 A (I _K < 500 A)

Safety related data

Protection against electrical shock	finger-safe
--	-------------

Galvanic isolation

Design of the electrical isolation	Protective separation in accordance with IEC 60947-1 for all circuits
---	---

Control circuit/ Control

Type of voltage of the control supply voltage	AC/DC
Control supply voltage at AC	
<ul style="list-style-type: none"> at 50 Hz rated value at 60 Hz rated value 	<p>110 ... 240 V</p> <p>110 ... 240 V</p>
Control supply voltage frequency 1 rated value	50 Hz
Control supply voltage frequency 2 rated value	60 Hz

Certificates/approvals

General Product Approval	For use in hazardous locations
--------------------------	--------------------------------



[Explosionsschutzertifikat](#)

Declaration of Conformity	Test Certificates	Shipping Approval
---------------------------	-------------------	-------------------



[spezielle Prüfbescheinigung](#)
[n](#)

[Typprüfbescheinigung/Werkszeugnis](#)

[Werksbescheinigung](#)



Shipping Approval	other
-------------------	-------



[Bestätigungen](#)

[PROFISafe-Zertifizierung](#)



Profibus

[PROFINET-Zertifizierung](#)

Further information

Information- and Downloadcenter (Catalogs, Brochures,...)

<http://www.siemens.com/industrial-controls/catalogs>

Industry Mall (Online ordering system)

<https://mall.industry.siemens.com/mall/en/en/Catalog/product?mlfb=3UF7011-1AU00-0>

Cax online generator

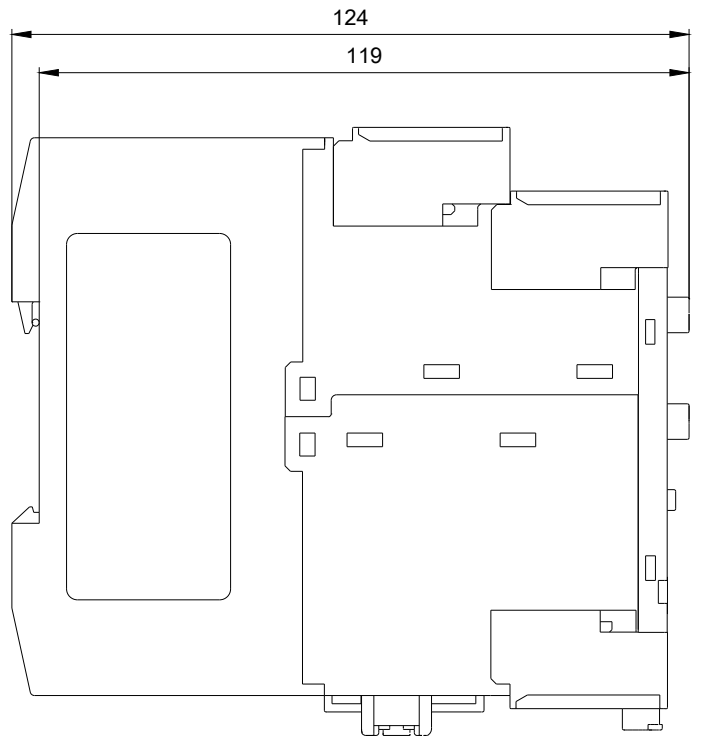
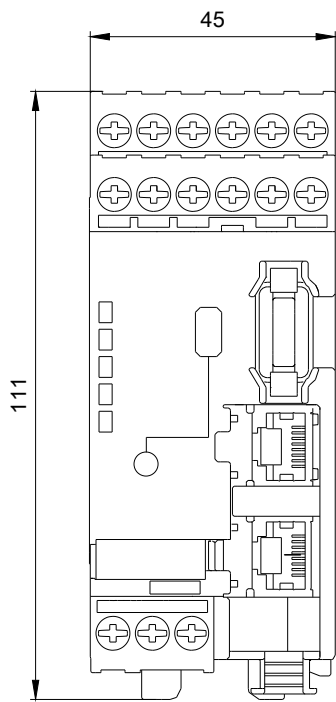
<http://support.automation.siemens.com/WW/CAXorder/default.aspx?lang=en&mlfb=3UF7011-1AU00-0>

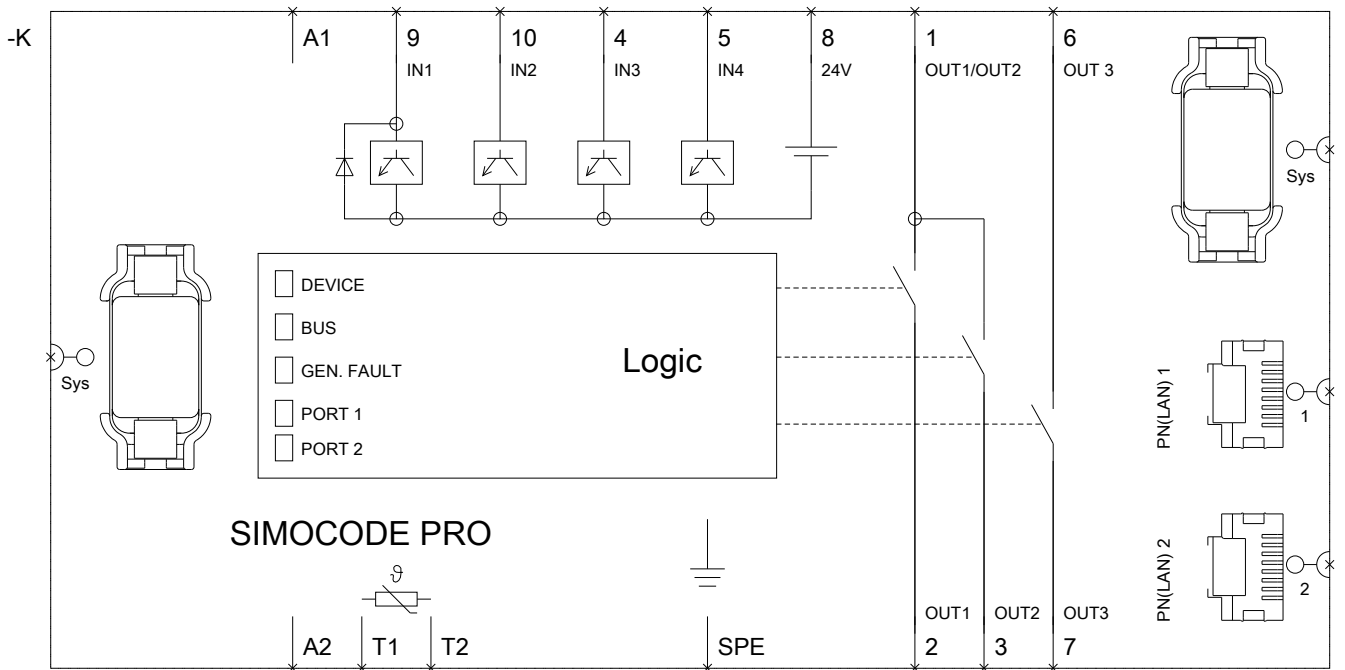
Service&Support (Manuals, Certificates, Characteristics, FAQs,...)

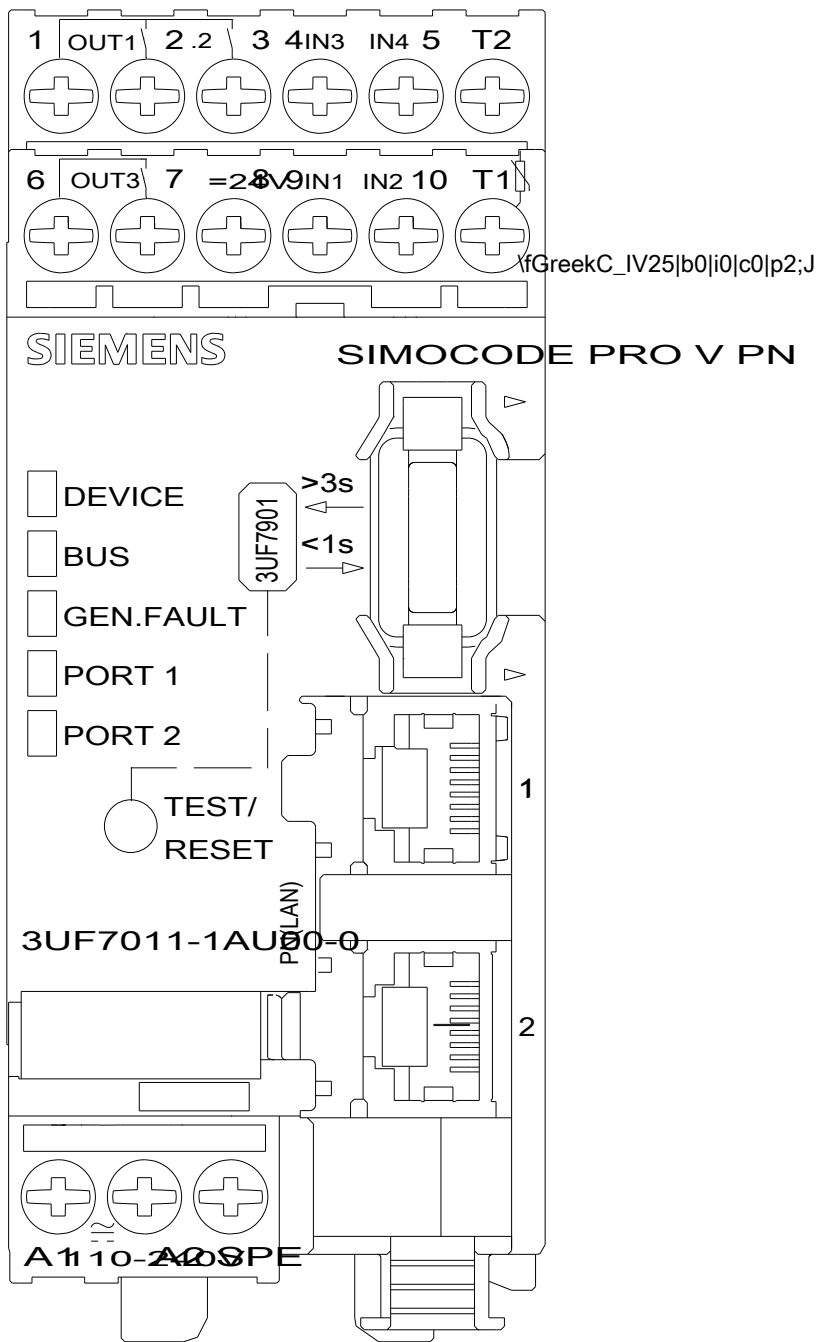
<https://support.industry.siemens.com/cs/ww/en/ps/3UF7011-1AU00-0>

Image database (product images, 2D dimension drawings, 3D models, device circuit diagrams, EPLAN macros, ...)

http://www.automation.siemens.com/bilddb/cax_de.aspx?mlfb=3UF7011-1AU00-0&lang=en







last modified:

03/13/2017