



Current/voltage measuring module V2; Set current 0.3 ... 4 A, Voltage measurement up to 690 V, Overall width 45 mm, Straight-through transformer, basic unit required pro V PB, pro V MR, pro V PN or pro V EIP

product brand name	SIRIUS
product designation	Current/voltage measuring module
General technical data	
product function	
• current measurement	Yes
• voltage measurement	Yes
• active power measurement	Yes
• power measurement	Yes
• frequency measurement	Yes
measuring procedure for current measurement	TRMS
current measuring range extension with external current transformers	Yes
measuring procedure for voltage measurement	TRMS
measurable supply voltage between the line conductors at AC maximum rated value	690 V
line conductors and neutral conductors internal resistance for voltage measurement	1 MΩ; RC-based voltage divider
product component	
• input for thermistor connection	No
insulation voltage	
• with degree of pollution 3 at AC rated value	690 V
• for wires of main circuit acc. to IEC 60947-1 rated value	6 kV
surge voltage resistance rated value	6 000 V
protection class IP	IP20
shock resistance acc. to IEC 60068-2-27	15g / 11 ms; with basic unit snapped on
vibration resistance	1-6 Hz / 15 mm; 6-500 Hz / 2 g; with basic unit snapped on: 1g
reference code acc. to IEC 81346-2	F
Substance Prohibitance (Date)	28.05.2009 00:00:00
certificate of suitability	
• according to ATEX directive 2014/34/EU	BVS 06 ATEX F001
explosion device group and category according to ATEX directive 2014/34/EU	II (2) G, II (2) D, I (M2)
Electromagnetic compatibility	
EMC emitted interference acc. to IEC 60947-1	class A
EMC immunity acc. to IEC 60947-1	corresponds to degree of severity 3
conducted interference	
• due to burst acc. to IEC 61000-4-4	2 kV
• due to conductor-earth surge acc. to IEC 61000-4-5	2 kV

<ul style="list-style-type: none"> • due to conductor-conductor surge acc. to IEC 61000-4-5 	1 kV
field-based interference acc. to IEC 61000-4-3	10 V/m
Inputs/ Outputs	
number of outputs as contact-affected switching element	0
Protective and monitoring functions	
product function	
<ul style="list-style-type: none"> • power factor monitoring 	Yes
<ul style="list-style-type: none"> • ground-fault monitoring 	Yes
<ul style="list-style-type: none"> • voltage detection 	Yes
product function	
<ul style="list-style-type: none"> • current detection 	Yes
<ul style="list-style-type: none"> • overload protection 	Yes
Precision	
measuring precision	
<ul style="list-style-type: none"> • of frequency measurement 	+/- 1.5 %, 0.25 A ... 8 A, 0.85 x 110 V ... 1.1 x 690 V (line-to-line voltages), cos phi (0.5...1), 50/60 Hz, 25 °C
<ul style="list-style-type: none"> • for current measurement 1 	+/- 1.5 %, in range 0.25 A ... 8 A, in range 0.85 x 110 V ... 1.1 x 690 V (line-to-line voltages), 50/60 Hz, 25 °C
<ul style="list-style-type: none"> • for current measurement 2 	+/- 3 %, in range 8 A ... 32 A, in range 0.85 x 110 V ... 1.1 x 690 V (line-to-line voltages), 50/60 Hz, 25 °C
<ul style="list-style-type: none"> • for voltage measurement 1 	+/- 1.5 %, in range 0.85 x 110 V ... 1.1 x 690 V (line-to-line voltages), 50/60 Hz, 25 °C
<ul style="list-style-type: none"> • at cos phi-measurement 1 	+/- 1.5 %, 0.4 A ... 8 A, 0.85 x 110 V ... 1.1 x 690 V (line-to-line voltages), cos phi (0.5...1), 50/60 Hz, 25 °C
<ul style="list-style-type: none"> • at cos phi-measurement 2 	+/- 5 %, 8 A ... 32 A, 0.85 x 110 V ... 1.1 x 690 V (line-to-line voltages), cos phi (0.5...1), 50/60 Hz, 25 °C
<ul style="list-style-type: none"> • at active power measurement 1 	+/- 5 %, 0.25 ... 8 A, 0.85 x 110 V ... 1.1 x 690 V (line-to-line voltages), cos phi (0.5...1), 50/60 Hz, 25 °C
<ul style="list-style-type: none"> • at active power measurement 2 	+/- 10 %, 8 A ... 32 A, 0.85 x 110 V ... 1.1 x 690 V (line-to-line voltages), cos phi (0.5...1), 50/60 Hz, 25 °C
<ul style="list-style-type: none"> • at energy measurement 1 	+/- 5 %, 0.25 ... 8 A, 0.85 x 110 V ... 1.1 x 690 V (line-to-line voltages), cos phi (0.5...1), 50/60 Hz, 25 °C
<ul style="list-style-type: none"> • at energy measurement 2 	+/- 10 %, 8 A ... 32 A, 0.85 x 110 V ... 1.1 x 690 V (line-to-line voltages), cos phi (0.5...1), 50/60 Hz, 25 °C
<ul style="list-style-type: none"> • at apparent power measurement 1 	+/- 3 %, 0.25 ... 8 A, 0.85 x 110 V ... 1.1 x 690 V (line-to-line voltages), cos phi (0.5...1), 50/60 Hz, 25 °C
<ul style="list-style-type: none"> • at apparent power measurement 2 	+/- 5 %, 8 A ... 32 A, 0.85 x 110 V ... 1.1 x 690 V (line-to-line voltages), cos phi (0.5...1), 50/60 Hz, 25 °C
accuracy of ground-fault monitoring	In the range 30 % .. 120 %/Is: +/- 10 % (Class CI-A), in range 15 % .. 30 % Ie: +/- 25 % (Class CI-B), both values acc. to IEC 60947-1 Annex T
temperature drift per °C	0.02 %/°C; Reference temperature: 25°C
measured variable frequency	45 ... 65 Hz
Installation/ mounting/ dimensions	
mounting position	any
fastening method	screw and snap-on mounting
height	84 mm
width	45 mm
depth	64 mm
required spacing	
<ul style="list-style-type: none"> • top 	30 mm
<ul style="list-style-type: none"> • bottom 	30 mm
<ul style="list-style-type: none"> • left 	0 mm
<ul style="list-style-type: none"> • right 	0 mm
diameter of inlet opening	7.5 mm
diameter of inlet opening for current measurement	7.5 mm
Connections/ Terminals	
type of electrical connection at the measurement inputs for voltage	screw-type terminals
type of connectable conductor cross-sections at the measurement inputs for voltage	

<ul style="list-style-type: none"> finely stranded with core end processing solid at AWG cables solid at AWG cables stranded 	<p>1x (0.25 ... 2.5 mm²), 2x (0.25 ... 1.0 mm²)</p> <p>1x (0.25 ... 2.5 mm²), 2x (0.25 ... 1.0 mm²)</p> <p>1x (24 ... 14), 2x (24 ... 18)</p> <p>1x (20 ... 14), 2x (20 ... 16)</p>	
tightening torque at the measurement inputs for voltage	0.5 ... 0.6 N·m	
tightening torque [lbf·in] at the measurement inputs for voltage	4.4 ... 5.3 lbf·in	
Ambient conditions		
installation altitude at height above sea level		
<ul style="list-style-type: none"> 1 maximum 2 maximum 3 maximum 	<p>2 000 m</p> <p>3 000 m; max. +50 °C (no protective separation)</p> <p>4 000 m; max. +40 °C (no protective separation)</p>	
ambient temperature		
<ul style="list-style-type: none"> during operation during storage during transport 	<p>-25 ... +60 °C</p> <p>-40 ... +80 °C</p> <p>-40 ... +80 °C</p>	
environmental category		
<ul style="list-style-type: none"> during operation acc. to IEC 60721 during storage acc. to IEC 60721 during transport acc. to IEC 60721 	<p>3K6 (no formation of ice, no condensation, relative humidity 10 ... 95%), 3C3 (no salt mist), 3S2 (sand must not get into the devices), 3M6</p> <p>1K6 (no condensation, relative humidity 10 ... 95%), 1C2 (no salt mist), 1S2 (sand must not get into the devices), 1M4</p> <p>2K2, 2C1, 2S1, 2M2</p>	
relative humidity during operation	10 ... 95 %	
Short-circuit protection		
product function short circuit protection	No	
Galvanic isolation		
(electrically) protective separation acc. to IEC 60947-1	All circuits with protective separation (double creepage paths and clearances), the information in the "Protective Separation" test report, No. A0258, must be observed (link see further information)	
Main circuit		
number of poles for main current circuit	3	
adjustable current response value current of the current-dependent overload release	0.3 ... 4 A	
operating voltage		
<ul style="list-style-type: none"> at AC <ul style="list-style-type: none"> at 50 Hz rated value at 60 Hz rated value 	<p>110 ... 690 V</p> <p>110 ... 690 V</p>	
operating frequency rated value	50 ... 60 Hz	
Control circuit/ Control		
type of voltage	AC	
inrush current maximum	40 A; 10 x I _o	
Certificates/ approvals		
General Product Approval	EMC	For use in hazardous locations



For use in hazardous locations

Declaration of Conformity

Test Certificates



[Miscellaneous](#)

[Type Test Certificates/Test Report](#)

Test Certificates

Marine / Shipping

[Special Test Certificate](#)

[Special Test Certificate](#)



other

[Confirmation](#)

[PROFINET-Certification](#)



Further information

Information- and Downloadcenter (Catalogs, Brochures,...)

<https://www.siemens.com/ic10>

Industry Mall (Online ordering system)

<https://mall.industry.siemens.com/mall/en/en/Catalog/product?mlfb=3UF7110-1AA01-0>

Cax online generator

<http://support.automation.siemens.com/WW/CAXorder/default.aspx?lang=en&mlfb=3UF7110-1AA01-0>

Service&Support (Manuals, Certificates, Characteristics, FAQs,...)

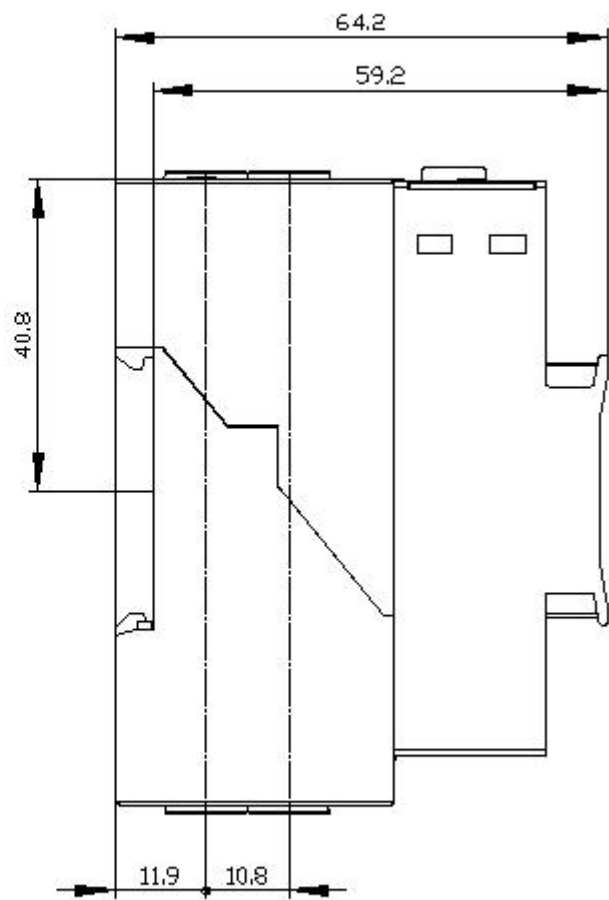
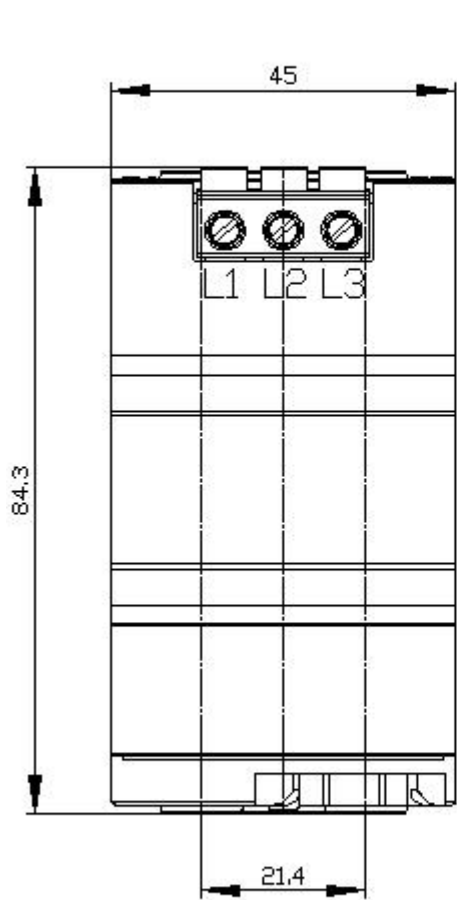
<https://support.industry.siemens.com/cs/ww/en/ps/3UF7110-1AA01-0>

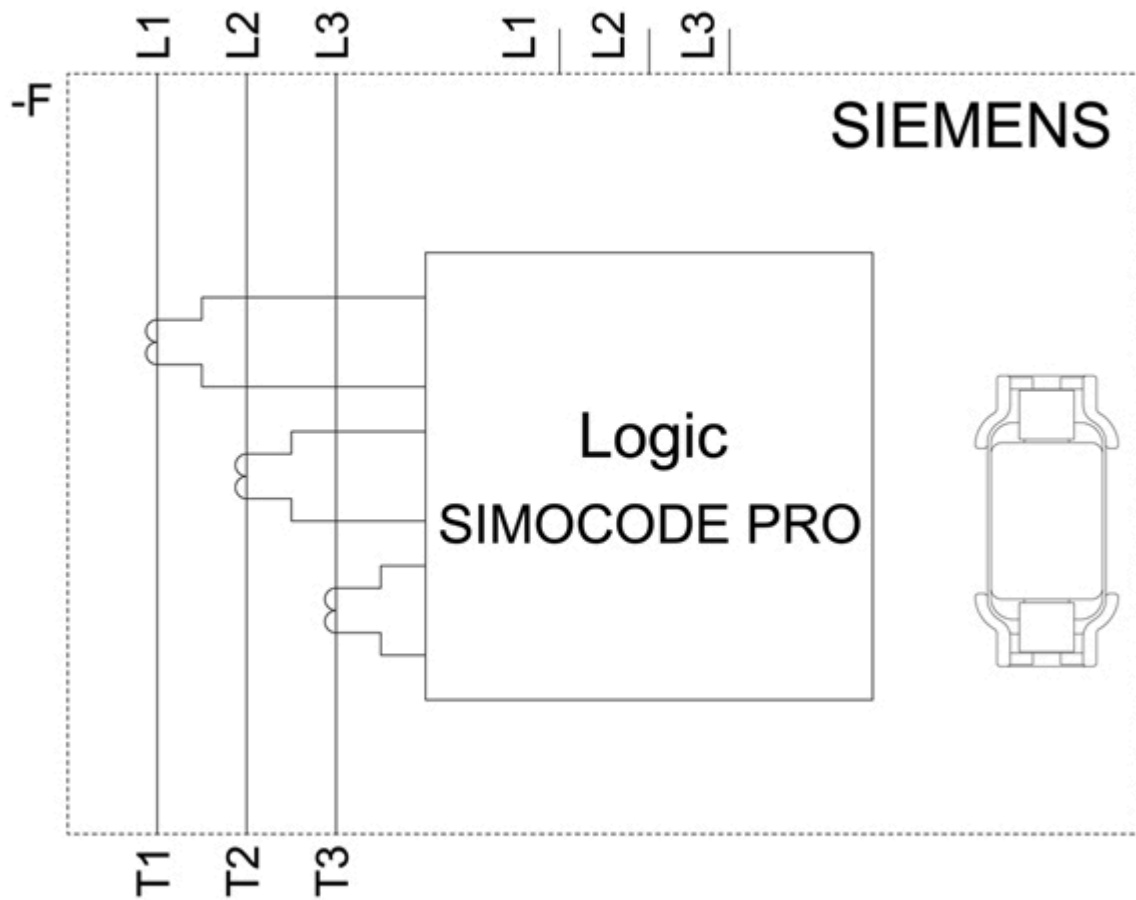
Image database (product images, 2D dimension drawings, 3D models, device circuit diagrams, EPLAN macros, ...)

http://www.automation.siemens.com/bilddb/cax_de.aspx?mlfb=3UF7110-1AA01-0&lang=en

Test report No. A0258, protective separation

<https://support.industry.siemens.com/cs/ww/en/view/109748152>





last modified:

12/21/2020 