

DIGITAL MODULE; 4 INPUTS AND 2 RELAY OUTPUTS; INPUT VOLTAGE AC/DC 110-240V MONOSTABLE RELAY OUTPUTS; MAXIMUM 2 DIGITAL MODULES PER BASIC UNIT 2



product brandname	SIRIUS
Product designation	digital modules

General technical data

Product component	
<ul style="list-style-type: none"> input for analog temperature sensors input for ground fault detection 	No No
Insulation voltage	
<ul style="list-style-type: none"> rated value 	300 V
Surge voltage resistance rated value	4 000 V
Protection class IP	IP20
Vibration resistance	1-6 Hz / 15 mm; 6-500 Hz / 2 g
Switching behavior	monostable
Equipment marking	
<ul style="list-style-type: none"> acc. to DIN EN 61346-2 acc. to DIN EN 81346-2 	K K

Electromagnetic compatibility

EMC emitted interference	
<ul style="list-style-type: none"> acc. to IEC 60947-1 	class A

EMI immunity acc. to IEC 60947-1	corresponds to degree of severity 3
Conducted interference	
<ul style="list-style-type: none"> • due to burst acc. to IEC 61000-4-4 	1 kV
<ul style="list-style-type: none"> • due to conductor-earth surge acc. to IEC 61000-4-5 	2 kV
<ul style="list-style-type: none"> • due to conductor-conductor surge acc. to IEC 61000-4-5 	1 kV
Field-bound parasitic coupling acc. to IEC 61000-4-3	10 V/m

Inputs/ Outputs	
Number of inputs	4
Number of digital inputs	4
Number of analog inputs	0
Number of outputs	2
Number of outputs as contact-affected switching element	2
Number of analog outputs	0
Number of semiconductor outputs	0

Installation/ mounting/ dimensions	
Mounting position	any
Mounting type	screw and snap-on mounting
Height	92 mm
Width	22.5 mm
Depth	124 mm

Connections/Terminals	
Type of electrical connection	
<ul style="list-style-type: none"> • for auxiliary and control current circuit 	screw-type terminals

Ambient conditions	
Installation altitude at height above sea level maximum	4 000 m
Ambient temperature	
<ul style="list-style-type: none"> • during operation 	-25 ... +60 °C
<ul style="list-style-type: none"> • during storage 	-40 ... +80 °C
<ul style="list-style-type: none"> • during transport 	-40 ... +80 °C
Environmental category during operation acc. to IEC 60721	3K6 (no formation of ice, no condensation), 3C3 (no salt mist), 3S2 (sand must not get into the devices), 3M6
Relative humidity during operation	5 ... 95 %

Safety related data	
Protection against electrical shock	finger-safe

Control circuit/ Control	
Type of voltage of the control supply voltage	AC/DC
Control supply voltage at AC	

- at 50 Hz rated value
- at 60 Hz rated value

110 ... 240 V

110 ... 240 V

Control supply voltage frequency 1 rated value

50 Hz

Control supply voltage frequency 2 rated value

60 Hz

Certificates/approvals

General Product Approval	EMC	For use in hazardous locations
--------------------------	-----	--------------------------------



For use in hazardous locations	Declaration of Conformity	Test Certificates	Shipping Approval
--------------------------------	---------------------------	-------------------	-------------------

[Explosionsschutzzertifikat](#)



[Typprüfbescheinigung/Werkszeugnis](#)

[spezielle Prüfbescheinigungen](#)



Shipping Approval	other
-------------------	-------



[Bestätigungen](#)

[PROFINET-Zertifizierung](#)



[PROFISafe-Zertifizierung](#)

Further information

Information- and Downloadcenter (Catalogs, Brochures,...)

<http://www.siemens.com/industrial-controls/catalogs>

Industry Mall (Online ordering system)

<https://mall.industry.siemens.com/mall/en/en/Catalog/product?mlfb=3UF7300-1AU00-0>

Cax online generator

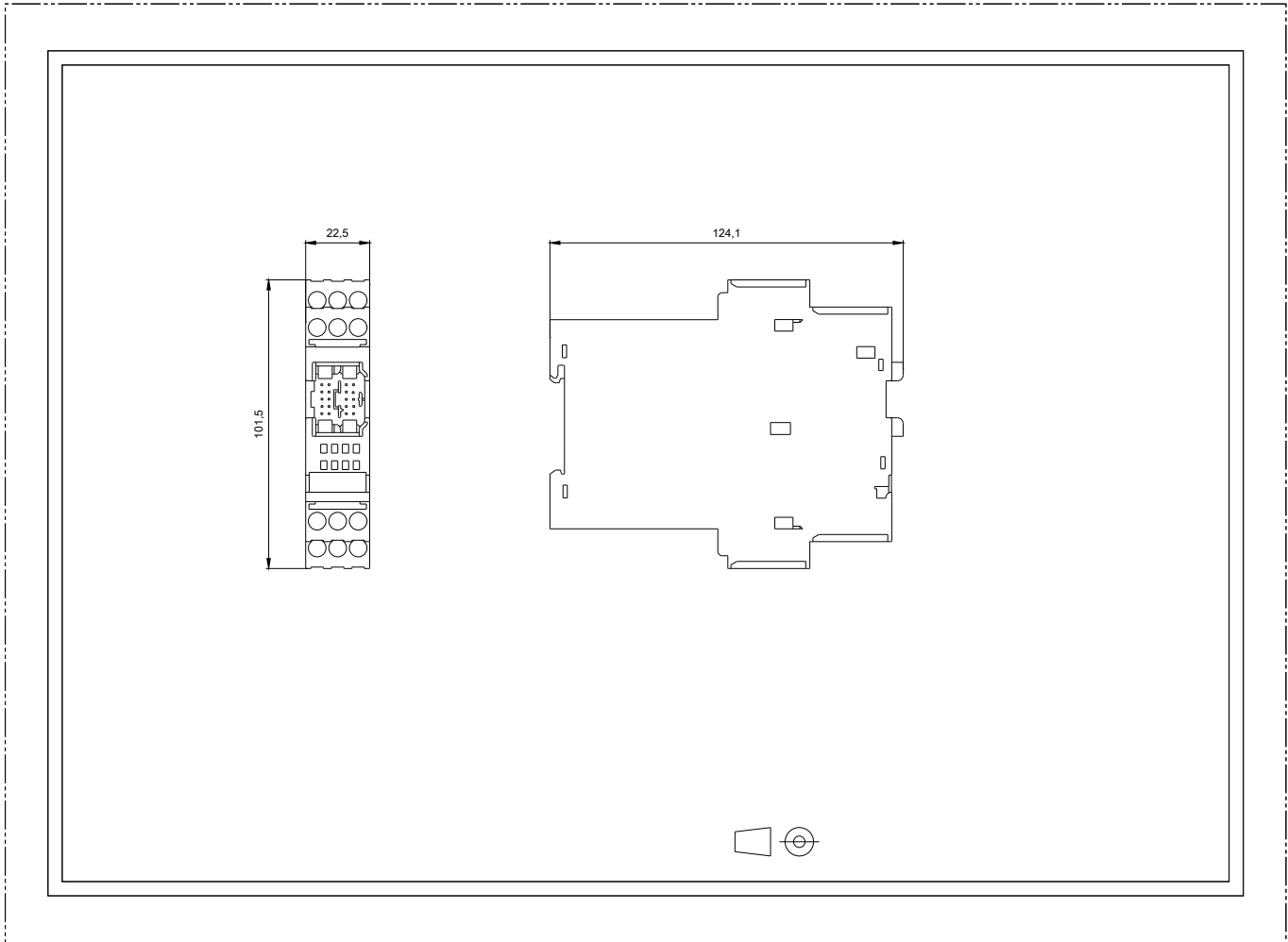
<http://support.automation.siemens.com/WW/CAXorder/default.aspx?lang=en&mlfb=3UF7300-1AU00-0>

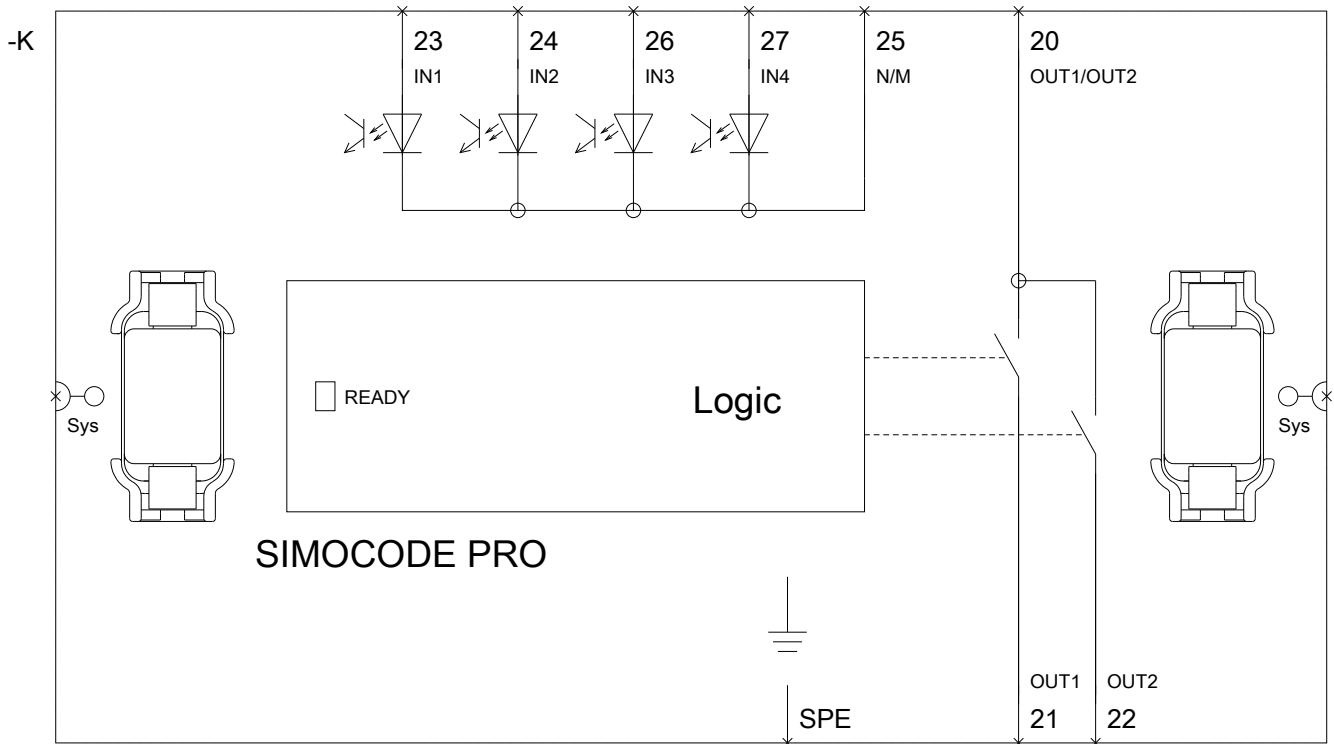
Service&Support (Manuals, Certificates, Characteristics, FAQs,...)

<https://support.industry.siemens.com/cs/ww/en/ps/3UF7300-1AU00-0>

Image database (product images, 2D dimension drawings, 3D models, device circuit diagrams, EPLAN macros, ...)

http://www.automation.siemens.com/bilddb/cax_de.aspx?mlfb=3UF7300-1AU00-0&lang=en





last modified:

02/27/2017