

DIGITAL MODULE; 4 INPUTS AND 2 RELAY OUTPUTS; INPUT VOLTAGE AC/DC 110-240V; BISTABLE RELAY OUTPUTS; MAXIMUM 2 DIGITAL MODULES PER BASIC UNIT 2



product brandname	SIRIUS
Product designation	digital modules

### General technical data

<b>Product component</b>	
<ul style="list-style-type: none"> <li>input for analog temperature sensors</li> <li>input for ground fault detection</li> </ul>	No No
<b>Insulation voltage</b>	
<ul style="list-style-type: none"> <li>rated value</li> </ul>	300 V
<b>Surge voltage resistance rated value</b>	4 000 V
<b>Protection class IP</b>	IP20
<b>Vibration resistance</b>	1-6 Hz / 15 mm; 6-500 Hz / 2 g
<b>Switching behavior</b>	bistable
<b>Equipment marking</b>	
<ul style="list-style-type: none"> <li>acc. to DIN EN 61346-2</li> <li>acc. to DIN EN 81346-2</li> </ul>	K K

### Electromagnetic compatibility

<b>EMC emitted interference</b>	
<ul style="list-style-type: none"> <li>acc. to IEC 60947-1</li> </ul>	class A

<b>EMI immunity acc. to IEC 60947-1</b>	corresponds to degree of severity 3
<b>Conducted interference</b>	
<ul style="list-style-type: none"> <li>• due to burst acc. to IEC 61000-4-4</li> </ul>	1 kV
<ul style="list-style-type: none"> <li>• due to conductor-earth surge acc. to IEC 61000-4-5</li> </ul>	2 kV
<ul style="list-style-type: none"> <li>• due to conductor-conductor surge acc. to IEC 61000-4-5</li> </ul>	1 kV
<b>Field-bound parasitic coupling acc. to IEC 61000-4-3</b>	10 V/m

### Inputs/ Outputs

<b>Number of inputs</b>	4
<b>Number of digital inputs</b>	4
<b>Number of analog inputs</b>	0
<b>Number of outputs</b>	2
<b>Number of outputs as contact-affected switching element</b>	2
<b>Number of analog outputs</b>	0
<b>Number of semiconductor outputs</b>	0

### Installation/ mounting/ dimensions

<b>Mounting position</b>	any
<b>Mounting type</b>	screw and snap-on mounting
<b>Height</b>	92 mm
<b>Width</b>	22.5 mm
<b>Depth</b>	124 mm

### Connections/Terminals

<b>Type of electrical connection</b>	
<ul style="list-style-type: none"> <li>• for auxiliary and control current circuit</li> </ul>	screw-type terminals

### Ambient conditions

<b>Installation altitude at height above sea level maximum</b>	4 000 m
<b>Ambient temperature</b>	
<ul style="list-style-type: none"> <li>• during operation</li> </ul>	-25 ... +60 °C
<ul style="list-style-type: none"> <li>• during storage</li> </ul>	-40 ... +80 °C
<ul style="list-style-type: none"> <li>• during transport</li> </ul>	-40 ... +80 °C
<b>Environmental category during operation acc. to IEC 60721</b>	3K6 (no formation of ice, no condensation), 3C3 (no salt mist), 3S2 (sand must not get into the devices), 3M6
<b>Relative humidity during operation</b>	5 ... 95 %

### Safety related data

<b>Protection against electrical shock</b>	finger-safe
--------------------------------------------	-------------

### Control circuit/ Control

<b>Type of voltage of the control supply voltage</b>	AC/DC
<b>Control supply voltage at AC</b>	

- at 50 Hz rated value
- at 60 Hz rated value

110 ... 240 V

110 ... 240 V

Control supply voltage frequency 1 rated value 50 Hz

Control supply voltage frequency 2 rated value 60 Hz

## Certificates/approvals

General Product Approval	EMC	For use in hazardous locations
--------------------------	-----	--------------------------------



CCC



CSA



UL



C-Tick

[Explosionsschutzertifikat](#)

Declaration of Conformity	Test Certificates	Shipping Approval
---------------------------	-------------------	-------------------



EG-Konf.

[spezielle Prüfbescheinigung](#)

[n](#)

[Typprüfbescheinigung/Werkszeugnis](#)



ABS



DNV



GL

Shipping Approval	other
-------------------	-------



RMRS

[Bestätigungen](#)

[PROFINET-Zertifizierung](#)



Profibus

[PROFISafe-Zertifizierung](#)

## Further information

Information- and Downloadcenter (Catalogs, Brochures,...)

<http://www.siemens.com/industrial-controls/catalogs>

Industry Mall (Online ordering system)

<https://mall.industry.siemens.com/mall/en/en/Catalog/product?mlfb=3UF7310-1AU00-0>

Cax online generator

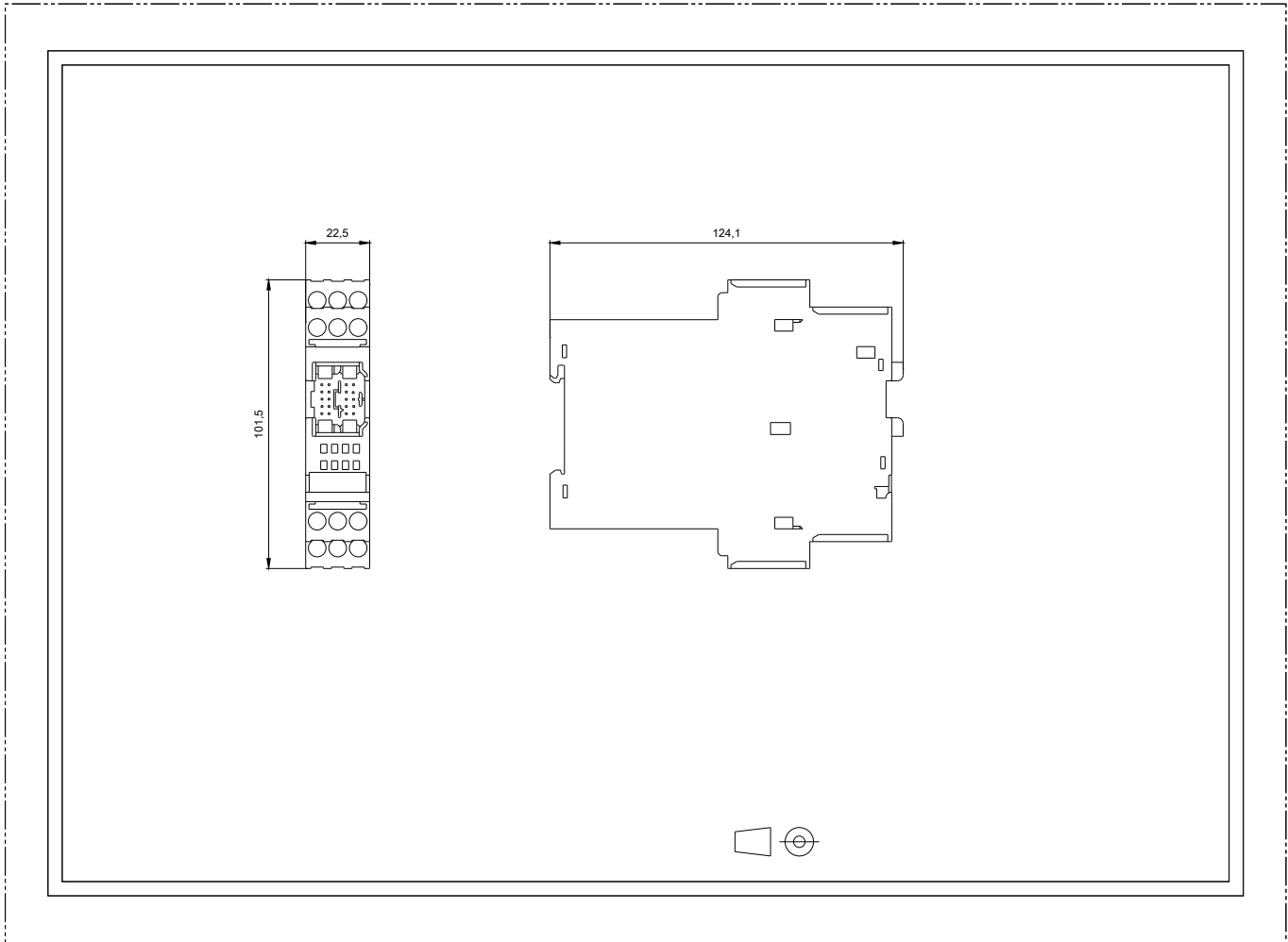
<http://support.automation.siemens.com/WW/CAXorder/default.aspx?lang=en&mlfb=3UF7310-1AU00-0>

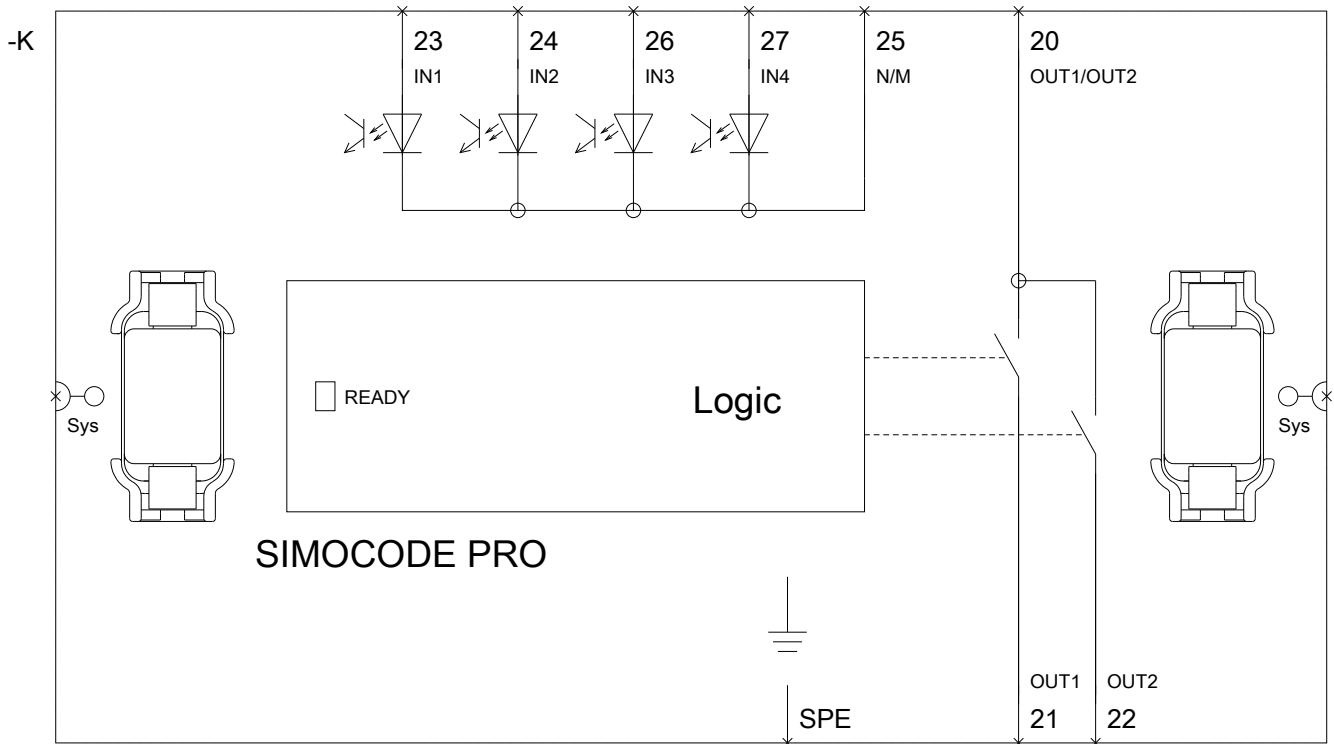
Service&Support (Manuals, Certificates, Characteristics, FAQs,...)

<https://support.industry.siemens.com/cs/ww/en/ps/3UF7310-1AU00-0>

Image database (product images, 2D dimension drawings, 3D models, device circuit diagrams, EPLAN macros, ...)

[http://www.automation.siemens.com/bilddb/cax\\_de.aspx?mlfb=3UF7310-1AU00-0&lang=en](http://www.automation.siemens.com/bilddb/cax_de.aspx?mlfb=3UF7310-1AU00-0&lang=en)





last modified:

02/27/2017