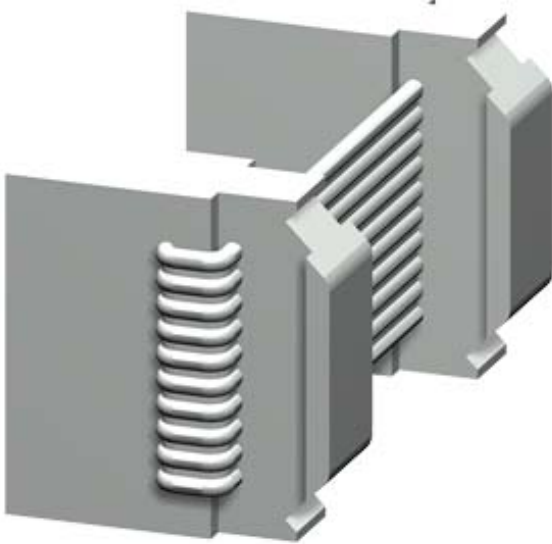






CONNECTION CABLE; LENGTH 0,3M; FLAT; CONNECTION OF BASIC UNIT TO CURRENT MEASURING MODULE, CURRENT/VOLTAGE MEASUR. MODULE, OPERATOR PANEL OR TO EXPANSION MODULES VIA SYSTEM INTERFACE




General technical data:

<b>product brandname</b>	SIRIUS
<b>Product designation</b>	Connection cable/length 0.3 m/flat
<b>Design of the product</b>	For connection of the system components
<b>Ambient temperature</b>	
• during storage	-40 ... +80 °C
• during operation	-25 ... +60 °C
• during transport	-40 ... +80 °C

Certificates/ approvals:

General Product Approval	EMC	Test Certificates	Shipping Approval
 UL		 C-Tick	 ABS
		<a href="#">Typrüfbescheinigung/Werkszeugnis</a>	<a href="#">spezielle Prüfbescheinigungen</a>

Shipping Approval	other
 BUREAU VERITAS	 DNV
 GL	 PRS
	 RMRS
	<a href="#">Bestätigungen</a>

other
<a href="#">PROFISafe-Zertifizierung</a>
<a href="#">PROFINET-Zertifizierung</a>
 Profibus

#### Further information

##### Information- and Downloadcenter (Catalogs, Brochures,...)

<http://www.siemens.com/industrial-controls/catalogs>

##### Industry Mall (Online ordering system)

<https://mall.industry.siemens.com/mall/en/en/Catalog/product?mlfb=3UF7935-0AA00-0>

##### Cax online generator

<http://support.automation.siemens.com/WW/CAXorder/default.aspx?lang=en&mlfb=3UF7935-0AA00-0>

##### Service&Support (Manuals, Certificates, Characteristics, FAQs,...)

<https://support.industry.siemens.com/cs/ww/en/ps/3UF7935-0AA00-0>

##### Image database (product images, 2D dimension drawings, 3D models, device circuit diagrams, EPLAN macros, ...)

[http://www.automation.siemens.com/bilddb/cax\\_de.aspx?mlfb=3UF7935-0AA00-0&lang=en](http://www.automation.siemens.com/bilddb/cax_de.aspx?mlfb=3UF7935-0AA00-0&lang=en)

