

circuit breaker 3VA2 IEC frame 630 breaking capacity class M  
 $I_{cu}=55kA$  @ 415V 3-pole, line protection ETU320, LI,  $I_n=400A$   
 overload protection  $I_r=160A...400A$  short-circuit protection  $I_i=1.5...12$   
 x  $I_n$  nut keeper kit



| Model  |                             |
|--|-----------------------------|
| Product brand name                             | SENTRON                     |
| Product designation                            | Molded case circuit breaker |
| Product version                                | Line protection             |
| Design of the overcurrent release              | ETU320                      |
| Protective function of the overcurrent release | LI                          |
| Number of poles                                | 3                           |

| General technical data   |         |
|--|---------|
| Tension assignée d'isolement $U_i$   | 800 V   |
| Max. rated operational voltage $U_e$ with AC 50/60Hz   | 690 V   |
| Power loss [W] / maximum   | 63.3 W  |
| Active power loss / for rated value of the current / at AC / in hot operating state / per pole | 21.1 W  |
| Latching - endurance   | 15 000  |
| Electrical endurance (switching cycles) / at AC-1 / at 380/415 V 50/60 Hz                      | 4 000   |
| Neutral conductors / upgradeable/retrofitable  | No      |
| Ground fault monitoring version  | Without |
| Product function   |         |

|                              |          |
|------------------------------|----------|
| • communication function     | No       |
| • other measurement function | No       |
| Net weight                   | 4.734 kg |

#### Electricity

|   |       |
|---|-------|
| Max. rated operational voltage of the size of the circuit-breaker | 630 A |
| Courant permanent assigné lu                                      | 400 A |
| Operating current   |       |
| • at 40 °C  | 400 A |
| • at 45 °C  | 400 A |
| • at 50 °C  | 400 A |
| • at 55 °C  | 384 A |
| • at 60 °C  | 372 A |
| • at 65 °C  | 356 A |
| • at 70 °C  | 340 A |

#### Switching capacity according to IEC 60947

|   |        |
|---|--------|
| Switching capacity class of the circuit breaker           | M      |
| Maximum short-circuit current breaking capacity (Icu)     |        |
| • at 240 V  | 85 kA  |
| • at 415 V  | 55 kA  |
| • at 440 V  | 55 kA  |
| • at 500 V  | 36 kA  |
| • at 690 V  | 6 kA   |
| Operational short-circuit current breaking capacity (Ics) |        |
| • at 240 V  | 85 kA  |
| • at 415 V  | 55 kA  |
| • at 440 V  | 55 kA  |
| • at 500 V  | 36 kA  |
| • at 690 V  | 6 kA   |
| Short-circuit current making capacity (Icm)               |        |
| • at 240 V  | 187 kA |
| • at 415 V  | 121 kA |
| • at 690 V  | 9 kA   |

#### Adjustable parameters

|  |       |
|--|-------|
| Adjustable response value current / I <sub>g</sub> min.            | 160 A |
| Adjustable response value current / I <sub>g</sub> min.            | 400 A |
| Adjustable response value current / I <sub>g</sub> min.            | 0.5   |
| Adjustable response value current / I <sub>g</sub> min.            | 17    |
| Short-term delayed / tripping switchable / I <sub>2t</sub> =ON/OFF | No    |

|  |         |
|--|---------|
| Adjustable response value current / li min.                | 600 A   |
| Adjustable response value current / li max.                | 4 800 A |
| Ground fault protection / tripping switchable / I2t=ON/OFF | No      |

### Mechanical Design

|             |        |
|-------------|--------|
| Height [in] | 9.8 in |
| Height      | 248 mm |
| Width [in]  | 5.4 in |
| Width       | 138 mm |
| Depth [in]  | 4.3 in |
| Depth       | 110 mm |

### Connections

|   |                |
|---|----------------|
| Arrangement of electrical connectors / for main current circuit                         | Front terminal |
| Type of electrical connection / for main current circuit                                | Lug terminal   |
| Type of connectable conductor cross-section, connection screw, width x thickness , min. | 20 x 1         |
| Type of connectable conductor cross-section, connection screw, width x thickness , max. | 35 x 10        |

### Auxiliary circuit

|  |   |
|--|---|
| Number of CO contacts / for auxiliary contacts | 0 |
|--|---|

### Accessories

|  |     |
|--|-----|
| Product extension / optional / motor drive | Yes |
|--|-----|

### Environmental conditions

|  |  |
|--|--|
| Protection class IP / on the front   | IP40   |
| Ambient temperature  |  |
| <ul style="list-style-type: none"> <li>• during operation / minimum</li> <li>• during operation / maximum</li> <li>• during storage / minimum</li> <li>• during storage / maximum</li> </ul> | <ul style="list-style-type: none"> <li>-25 °C</li> <li>70 °C</li> <li>-40 °C</li> <li>80 °C</li> </ul> |

### Certificates

|   |   |
|---|---|
| Reference code / acc. to DIN EN 81346-2 | Q |
|---|---|

|                          |     |                           |
|--------------------------|-----|---------------------------|
| General Product Approval | EMC | Declaration of Conformity |
|--------------------------|-----|---------------------------|



CCC



VDE

[Miscellaneous](#)



RCM



EG-Konf.

|                   |                   |
|-------------------|-------------------|
| Test Certificates | Shipping Approval |
|-------------------|-------------------|

[Miscellaneous](#)

[Special Test Certificate](#)

[Type Test Certificates/Test Report](#)



ABS



BUREAU VERITAS



GL

|                   |       |
|-------------------|-------|
| Shipping Approval | other |
|-------------------|-------|



LRS



RMRS

[Miscellaneous](#)

## Further information

**Information- and Downloadcenter (Catalogs, Brochures,...)**

<http://www.siemens.com/lowvoltage/catalogs>

**Industry Mall (Online ordering system)**

<https://mall.industry.siemens.com/mall/en/en/Catalog/product?mlfb=3VA2440-5HL32-0AA0>

**Service&Support (Manuals, Certificates, Characteristics, FAQs,...)**

<https://support.industry.siemens.com/cs/ww/en/ps/3VA2440-5HL32-0AA0>

**Image database (product images, 2D dimension drawings, 3D models, device circuit diagrams, ...)**

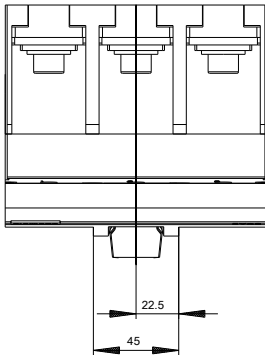
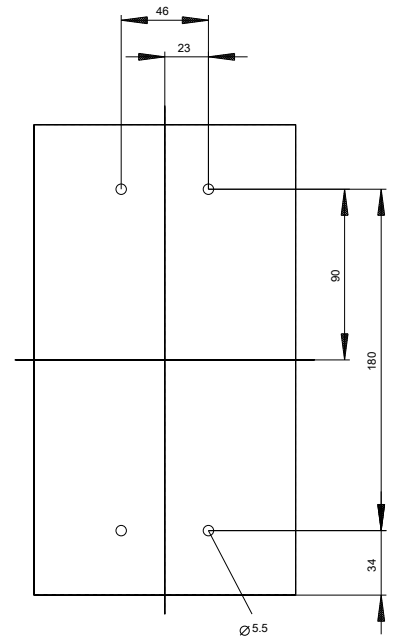
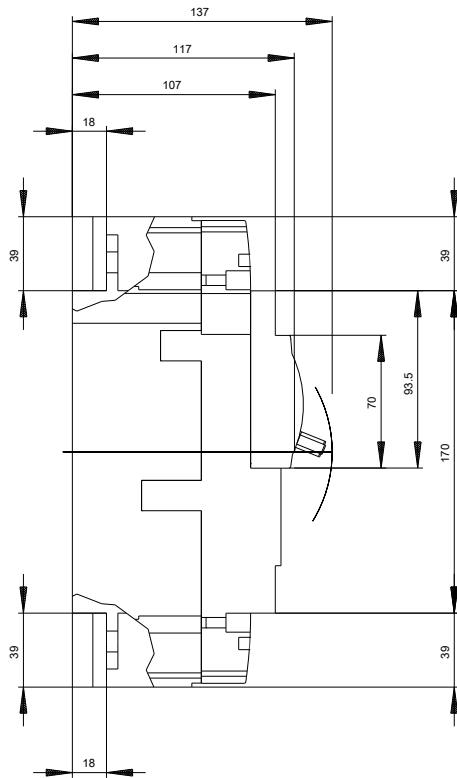
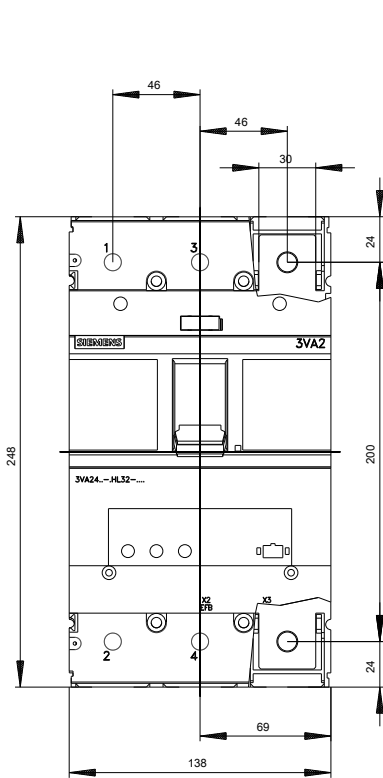
[http://www.automation.siemens.com/bilddb/cax\\_en.aspx?mlfb=3VA2440-5HL32-0AA0](http://www.automation.siemens.com/bilddb/cax_en.aspx?mlfb=3VA2440-5HL32-0AA0)

**CAX-Online-Generator**

<http://www.siemens.com/cax>

**Tender specifications**

<http://www.siemens.com/specifications>





**last modified:**

11/01/2018