




control wire tap for box terminal 10 units accessory for: 3VA1
100/160



Model	
Product brand name	SETRON
Product designation	accessories

Certificates				
General Product Approval	EMC	Declaration of Conformity	Test Certificates	other
Miscellaneous		 RCM	 EG-Konf.	Type Test Certificates/Test Report
				Miscellaneous

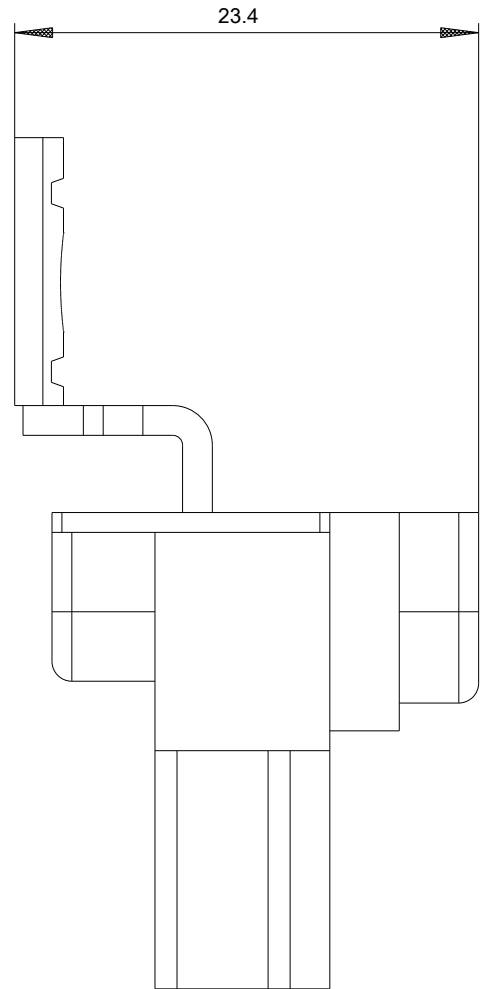
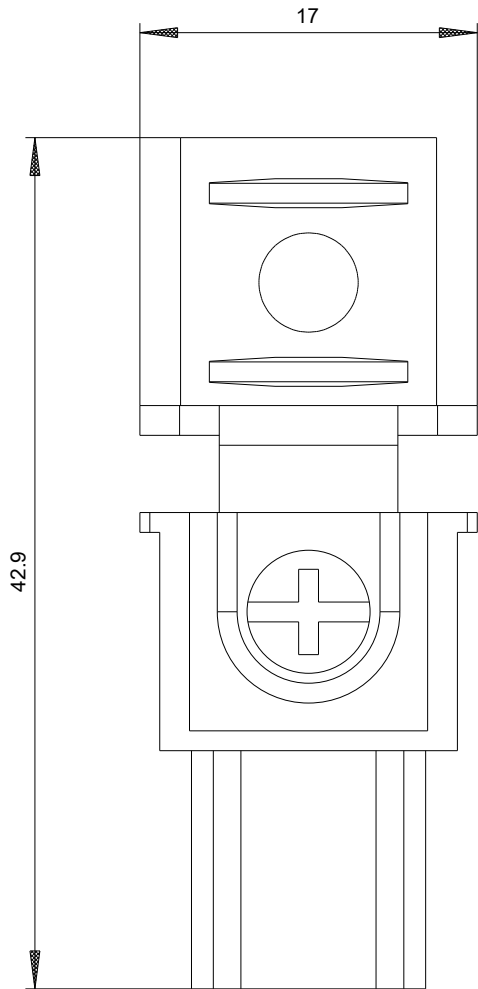
Further information

Information- and Downloadcenter (Catalogs, Brochures,...)
<http://www.siemens.com/lowvoltage/catalogs>

Industry Mall (Online ordering system)
<https://mall.industry.siemens.com/mall/en/en/Catalog/product?mfb=3VA9110-0WB00>

Service&Support (Manuals, Certificates, Characteristics, FAQs,...)
<https://support.industry.siemens.com/cs/ww/en/ps/3VA9110-0WB00>

Image database (product images, 2D dimension drawings, 3D models, device circuit diagrams, ...)
http://www.automation.siemens.com/bilddb/cax_en.aspx?mfb=3VA9110-0WB00



last modified:

11/17/2018