





bus connector extended front 3 units accessory for: 3VA1 100/160



Model	
Product brand name	SETRON
Product designation	accessories
Accessories	Bus connector extended
Certificates	

General Product Approval	EMC	Declaration of Conformity	Test Certificates
 VDE	<a href="#">Miscellaneous</a>  EAC	 RCM	 EG-Konf.

Shipping Approval	other
-------------------	-------

  
LRS

[Manufacturer Declaration](#)      [Miscellaneous](#)

### Further information

**Information- and Downloadcenter (Catalogs, Brochures,...)**

<http://www.siemens.com/lowvoltage/catalogs>

**Industry Mall (Online ordering system)**

<https://mall.industry.siemens.com/mall/en/en/Catalog/product?mlfb=3VA9153-0QB00>

**Service&Support (Manuals, Certificates, Characteristics, FAQs,...)**

<https://support.industry.siemens.com/cs/ww/en/ps/3VA9153-0QB00>

**Image database (product images, 2D dimension drawings, 3D models, device circuit diagrams, ...)**

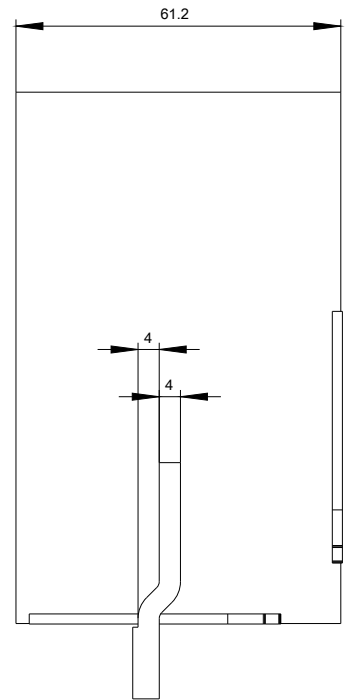
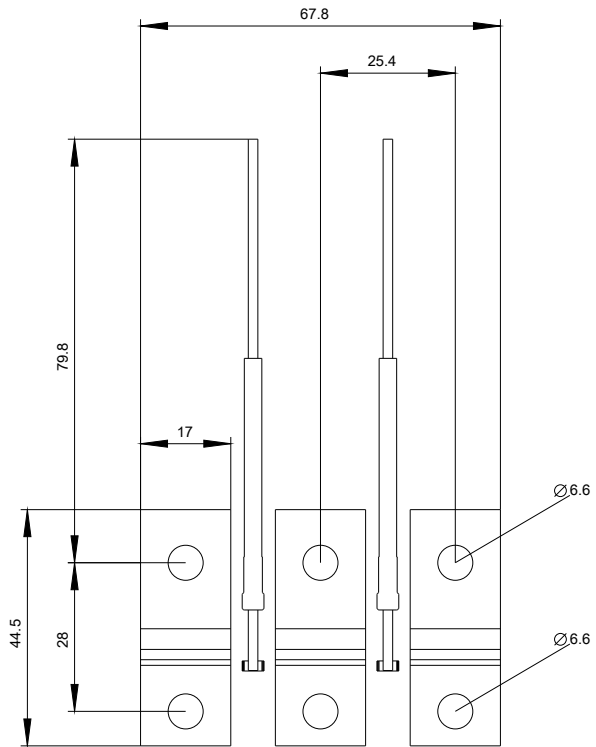
[http://www.automation.siemens.com/bilddb/cax\\_en.aspx?mlfb=3VA9153-0QB00](http://www.automation.siemens.com/bilddb/cax_en.aspx?mlfb=3VA9153-0QB00)

**CAX-Online-Generator**

<http://www.siemens.com/cax>

**Tender specifications**

<http://www.siemens.com/specifications>



**last modified:**

08/08/2020