

front mounted rotary operator emergency-off IEC IP30/40 accessory
for: 3VA1 100/160



Model	
Product brand name	SENTRON
Product designation	Accessories
Product version	Front rotary operating mechanism
General technical data	
Protection class IP	IP30
Mechanical Design	
Height	70 mm
Width	77 mm
Depth	95 mm
Net weight	201 g
Certificates	

General Product Approval	EMC	Declaration of Conformity	Test Certificates
 VDE	Miscellaneous EAC	 RCM	 EG-Konf.

[Type Test Certificates/Test Report](#)

Shipping Approval	other
-------------------	-------



LRS

[Manufacturer Declaration](#)

[Miscellaneous](#)

Further information

Information- and Downloadcenter (Catalogs, Brochures,...)

<http://www.siemens.com/lowvoltage/catalogs>

Industry Mall (Online ordering system)

<https://mall.industry.siemens.com/mall/en/en/Catalog/product?mlfb=3VA9157-0EK15>

Service&Support (Manuals, Certificates, Characteristics, FAQs,...)

<https://support.industry.siemens.com/cs/ww/en/ps/3VA9157-0EK15>

Image database (product images, 2D dimension drawings, 3D models, device circuit diagrams, ...)

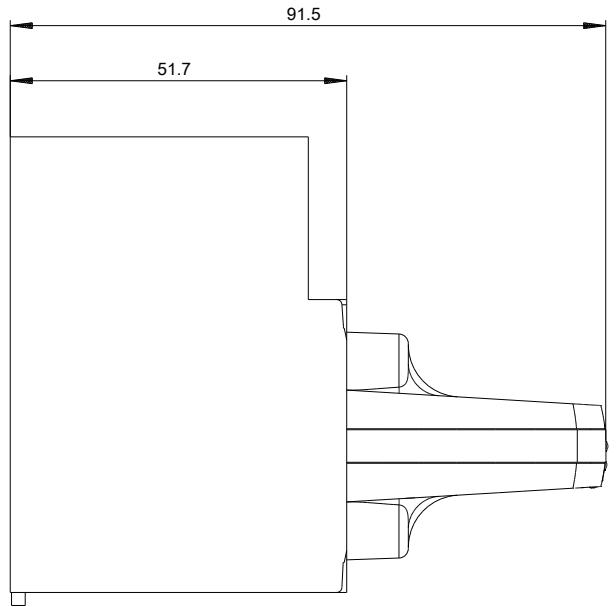
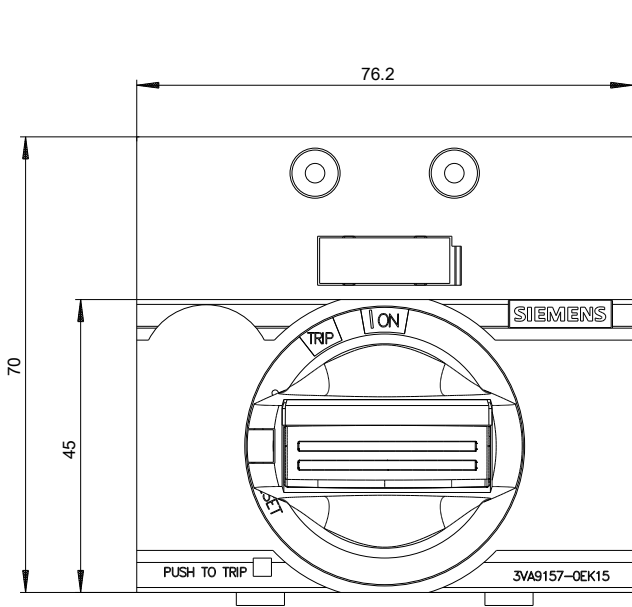
http://www.automation.siemens.com/bilddb/cax_en.aspx?mlfb=3VA9157-0EK15

CAX-Online-Generator

<http://www.siemens.com/cax>

Tender specifications

<http://www.siemens.com/specifications>



last modified:

11/19/2019