




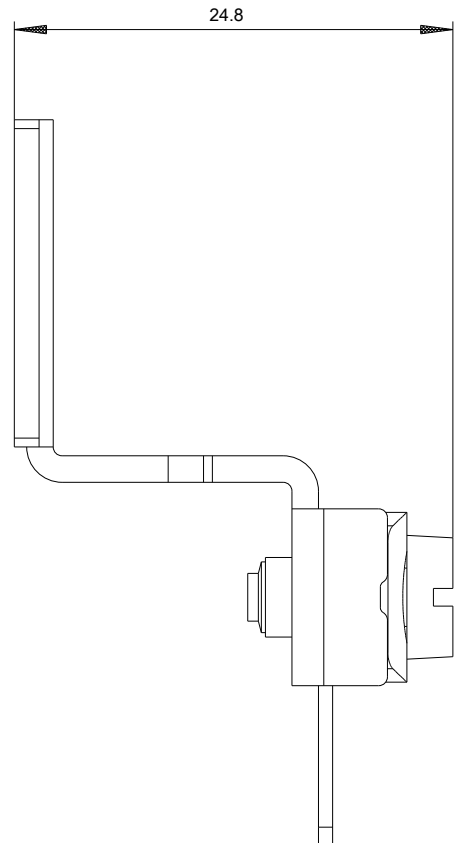
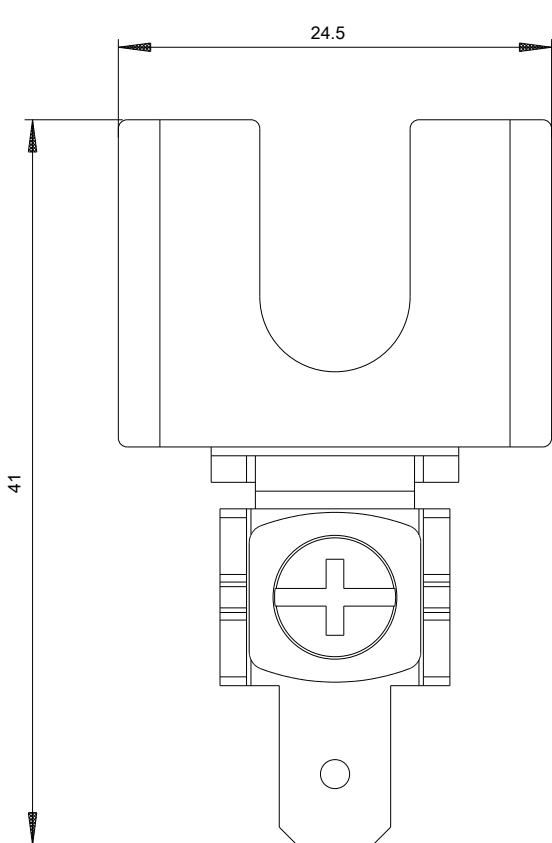
control wire tap for nut keeper kit 10 accessory for: 3VA1 100/160
3VA2 100/160/250



Model	
Product brand name	SETRON
Product designation	accessories

Certificates				
General Product Approval	EMC	Declaration of Conformity	Test Certificates	other
Miscellaneous		 RCM	 EG-Konf.	Type Test Certificates/Test Report
				Miscellaneous

Further information
Information- and Downloadcenter (Catalogs, Brochures,...) http://www.siemens.com/lowvoltage/catalogs
Industry Mall (Online ordering system) https://mall.industry.siemens.com/mall/en/en/Catalog/product?mfb=3VA9200-0WC00
Service&Support (Manuals, Certificates, Characteristics, FAQs,...) https://support.industry.siemens.com/cs/ww/en/ps/3VA9200-0WC00
Image database (product images, 2D dimension drawings, 3D models, device circuit diagrams, ...) http://www.automation.siemens.com/bilddb/cax_en.aspx?mfb=3VA9200-0WC00



last modified:

12/07/2018