

retaining bracket accessory for: 3VA1 100/160/250



Model	
Product brand name	SETRON
Product designation	Accessories
Product version	Retaining bracket
Accessories	Fixing bracket

Mechanical Design	
Depth	67 mm
Net weight	19 g

Certificates				
General Product Approval	EMC	Declaration of Conformity	Test Certificates	other

[Miscellaneous](#)



[Type Test Certificates/Test Report](#)

[Miscellaneous](#)

## Further information

**Information- and Downloadcenter (Catalogs, Brochures,...)**

<http://www.siemens.com/lowvoltage/catalogs>

**Industry Mall (Online ordering system)**

<https://mall.industry.siemens.com/mall/en/en/Catalog/product?mlfb=3VA9287-0GA80>

**Service&Support (Manuals, Certificates, Characteristics, FAQs,...)**

<https://support.industry.siemens.com/cs/ww/en/ps/3VA9287-0GA80>

**Image database (product images, 2D dimension drawings, 3D models, device circuit diagrams, ...)**

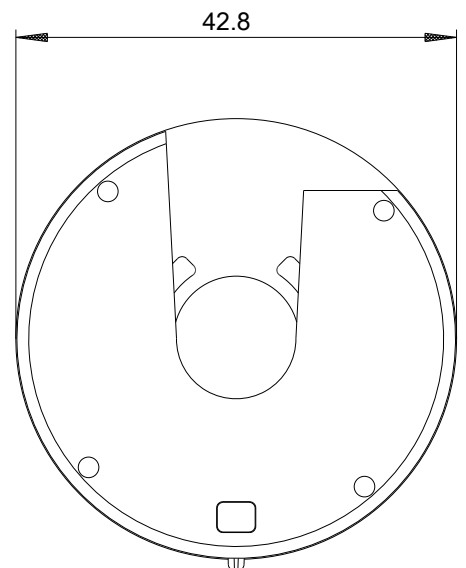
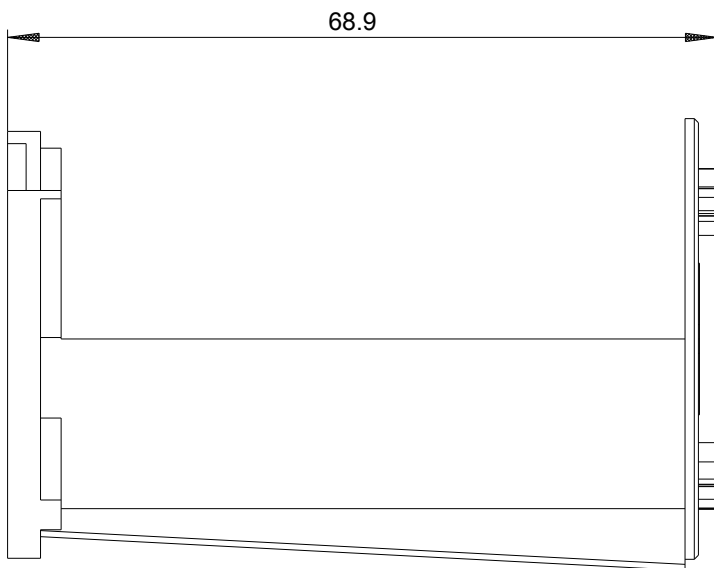
[http://www.automation.siemens.com/bilddb/cax\\_en.aspx?mlfb=3VA9287-0GA80](http://www.automation.siemens.com/bilddb/cax_en.aspx?mlfb=3VA9287-0GA80)

**CAX-Online-Generator**

<http://www.siemens.com/cax>

**Tender specifications**

<http://www.siemens.com/specifications>



last modified:

11/17/2018