

bus connector extended front mounted; 3 units accessory for: 3VA53/54; 3VA63/64



Model	
product brand name	SENTRON
accessories	Bus connector extended
Connections according IEC	
thickness / of the busbar	2
<ul style="list-style-type: none"> • minimum • maximum 	
thickness / of the busbar / maximum	12.5 mm
width / of the busbar / maximum	40 mm
Connections according UL	
width / of the busbar / maximum	1.6 in
thickness / of the busbar / minimum	0.08 in
thickness / of the busbar / maximum	0.5 in
Certificates	
General Product Approval	EMV



[Miscellaneous](#)



Marine / Shipping

other

Environment



[Miscellaneous](#)

[Confirmation](#)

[Miscellaneous](#)

[Environmental Con-
firmations](#)

Further information

Information on the packaging

<https://support.industry.siemens.com/cs/ww/en/view/109813875>

Information- and Downloadcenter (Catalogs, Brochures,...)

<http://www.siemens.com/lowvoltage/catalogs>

Industry Mall (Online ordering system)

<https://mall.industry.siemens.com/mall/en/en/Catalog/product?mlfb=3VA9473-0QB00>

Service&Support (Manuals, Certificates, Characteristics, FAQs,...)

<https://support.industry.siemens.com/cs/ww/en/ps/3VA9473-0QB00>

Image database (product images, 2D dimension drawings, 3D models, device circuit diagrams, ...)

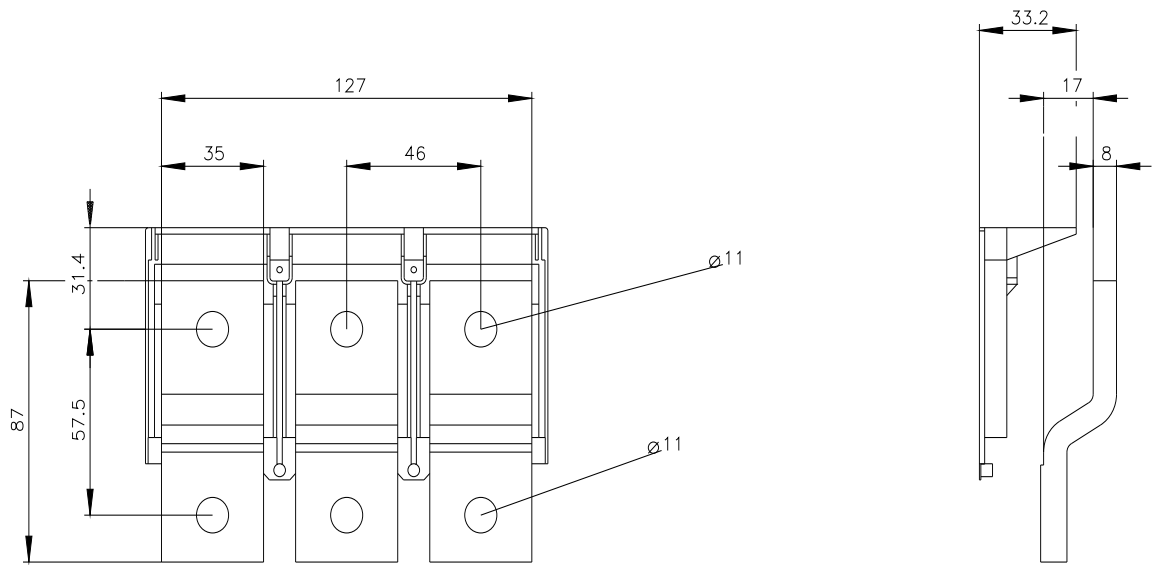
http://www.automation.siemens.com/bilddb/cax_en.aspx?mlfb=3VA9473-0QB00

CAX-Online-Generator

<http://www.siemens.com/cax>

Tender specifications

<http://www.siemens.com/specifications>



last modified:

8/19/2022 

