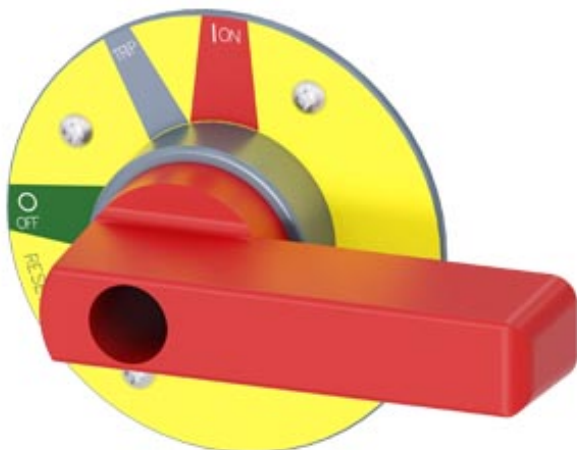


SUPPLEMENTARY HANDLE FOR DOOR MOUNTED ROTARY OPERATOR EMERGENCY-STOP ACCESSORY FOR 3VA5/6 400/600



Model	
Product brand name	SENTRON
Product designation	Accessories
Product version	Additional handle for door-coupling rotary operating mechanism
Mechanical Design	
Height	70 mm
Width	70 mm
Depth	36 mm
Net weight	59 g
Certificates	

General Product Approval	EMC	Declaration of Conformity
--------------------------	-----	---------------------------



[Miscellaneous](#)



Shipping Approval	other
-------------------	-------



LRS

[Manufacturer Declaration](#)

[Miscellaneous](#)

Further information

Information- and Downloadcenter (Catalogs, Brochures,...)

<http://www.siemens.com/lowvoltage/catalogs>

Industry Mall (Online ordering system)

<https://mall.industry.siemens.com/mall/en/en/Catalog/product?mlfb=3VA9477-0GC15>

Service&Support (Manuals, Certificates, Characteristics, FAQs,...)

<https://support.industry.siemens.com/cs/ww/en/ps/3VA9477-0GC15>

Image database (product images, 2D dimension drawings, 3D models, device circuit diagrams, ...)

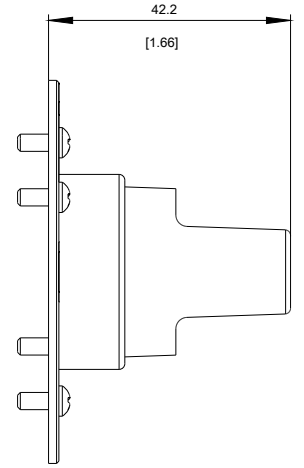
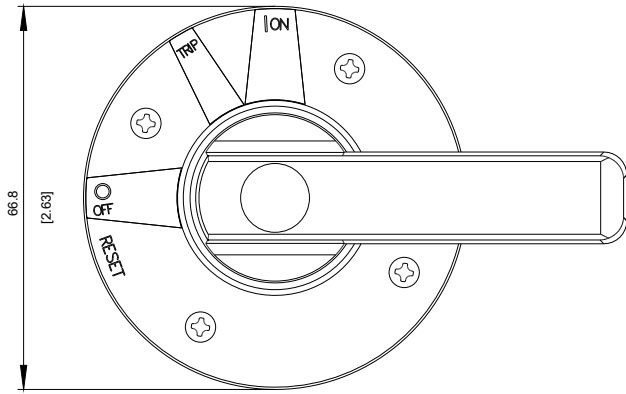
http://www.automation.siemens.com/bilddb/cax_en.aspx?mlfb=3VA9477-0GC15

CAX-Online-Generator

<http://www.siemens.com/cax>

Tender specifications

<http://www.siemens.com/specifications>



last modified:

03/19/2020