

Similar to image

CIRCUIT-BREAKER VL 250N STANDARD SWITCHING
CAPACITY ICU=55KA / 415 V AC 3 POLE,
NON-AUTOMATIC OVERCURRENT RELEASE MAGNETIC
IN=250A,
RATED CURRENT II=3500A,
SHORT-CIRCUIT II=4000A, SHORT-CIRCUIT

General technical data:

ambient temperature / during the operating phase	°C	-25 ... 70
Number of poles		3
Product function		
• overload protection		No
• for zero conductors / short-circuit and overload protection		No
Product component		
• auxiliary switch		No
• undervoltage release mechanism		No
• Voltage trigger		No
Protection class IP		IP20
Protective function of the overcurrent release		I
Design of the overcurrent release		M
Derating temperature / for the rated value of the continuous current	°C	50
• acc. to UL 489	°C	40
Item designation		
• according to DIN 40719 extendable after IEC 204-2 / according to IEC 750		Q
• according to DIN EN 61346-2		Q

Main circuit:		
Continuous current / rated value	A	250
Adjustable response current		
• of the non-delayed short-circuit release	A	3,500 ... 3,500
Operating voltage / for main current circuit		
• at 50 Hz / for AC / maximum	V	690
• at 60 Hz / for AC / maximum	V	690
• at 50 Hz / for AC / acc. to UL 489 / maximum	V	600
• at 60 Hz / for AC / acc. to UL 489 / maximum	V	600
• for DC / acc. to UL 489 / maximum	V	500
• for DC / maximum	V	600

Auxiliary circuit:		
Number of NC contacts / for auxiliary contacts		0
Number of NO contacts / for auxiliary contacts		0
Number of change-over switches / for auxiliary contacts		0

Short-circuit:		
Breaking capacity limit short-circuit current (I_{cu})		
• at 400 V / rated value	kA	40
• at 415 V / rated value	kA	40
• at 480 V / rated value	kA	25

Installation/mounting/dimensions:		
Type of mounting		fixed mounting
Height	mm	185.5
Depth	mm	106.5

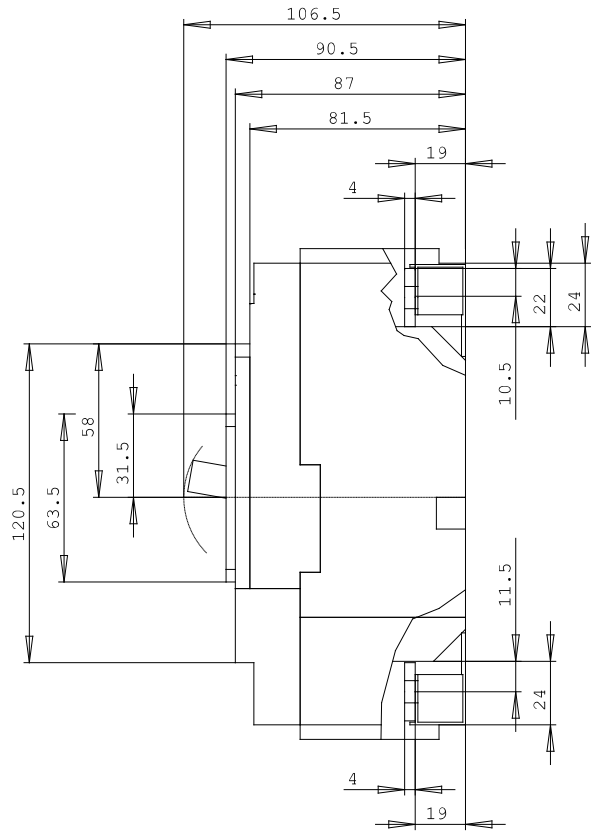
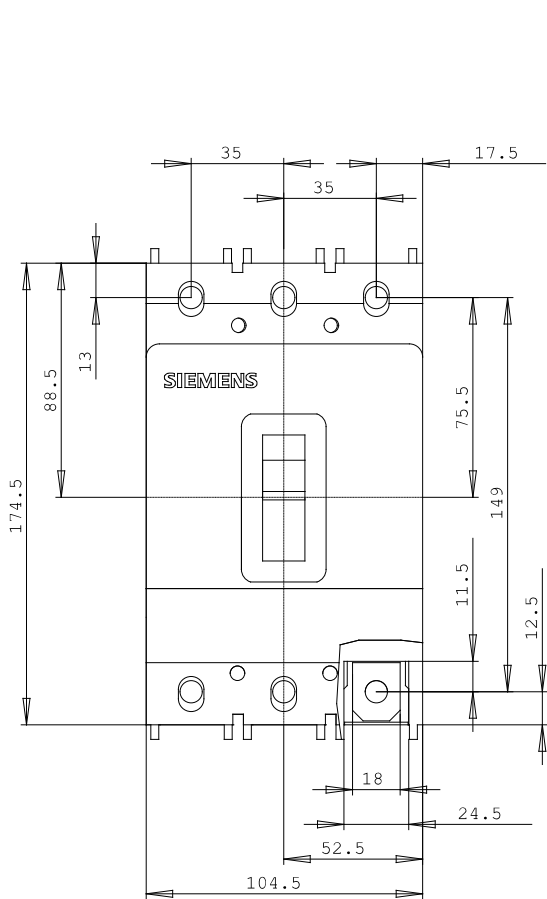
Connections:		
Design of the electrical connection		
• for main current circuit		screw-type terminals
Arrangement of electrical connectors		
• for main current circuit		front side

Certificates/approvals:		
Acceptability for application		non-automatic circuit-breakers

Further information:		
Information- and Downloadcenter (Catalogs, Brochures,...)		
http://www.siemens.com/lowvoltage/catalogs		
Global Industry Mall (Online ordering system)		
http://www.siemens.com/lowvoltage/mall		

Tender specifications

[Datanorm GAEB81 GAEB83 RTF TXT](#)



last change:

Apr 4, 2011