

Similar to image

CIRCUIT-BREAKER VL 250N STANDARD SWITCHING
CAPACITY R.U.S.-C.BR.C.= 55KA,
415 V AC 3-POLE,
MOTOR PROTECTION OVERCURRENT RELEASE
ETU30M,
LI IN=250A,
RATED CURRENT TC= 10A ... 30,
TIME LAG CLASS II= 6 ... 11 X IN,
SHORT-CIRCUIT PROTECTION WITHOUT AUXILIARY
RELEASE

General technical data:

Number of poles		3
Design of the overcurrent release		ETU30M
Acceptability for application		Motor Protection
Electrical operating cycles as operating time / typical		10,000
Mechanical operating cycles as operating time / typical		20,000
Active power loss / maximum	W	60
Product component		
• auxiliary switch		Yes
• Voltage trigger		No
• undervoltage release mechanism		No
• undervoltage release with leading contact		No
Product function		
• of the thermal overload release		adjustable
• ground-fault protection		No
• for zero conductors / short-circuit and overload protection		No
• overload protection		Yes
Operating cycles / maximum	1/s	120
Protection class IP		IP20

Protective function of the overcurrent release		LI
Impulse voltage resistance / rated value	kV	8
Ambient temperature		
• during operating		
• minimum	°C	-25 ...
• maximum	°C	70
• during storage		
• minimum	°C	-40
• maximum	°C	50

Main circuit:

Insulation voltage / for AC / rated value	V	800
Operating frequency		
• 1 / rated value	Hz	50
• 2 / rated value	Hz	60
Service power / at AC-3		
• at 230 V / rated value	kW	46
• at 400 V / rated value	kW	138.5
Item designation		
• according to DIN 40719 extendable after IEC 204-2 / according to IEC 750		Q
• according to DIN EN 61346-2		Q
Operating voltage		
• for main current circuit		
• at 50 Hz / for AC		
• maximum	V	690
• at 60 Hz / for AC		
• maximum	V	690
Operating current		
• at 40 °C / rated value	A	250
• at 50 °C / rated value	A	250
• at 60 °C / rated value	A	237.5
• at 70 °C / rated value	A	200
Continuous current / rated value	A	250
Derating temperature / for the rated value of the continuous current	°C	50

Auxiliary circuit:

Number of NC contacts / for auxiliary contacts		1
Number of NO contacts / for auxiliary contacts		1

Short-circuit:

Adjustable response current	• of the current-dependent overload release	• initial value	A	100 ...
		• final value	A	250
	• of the non-delayed short-circuit release	• initial value	A	1,500 ...
		• final value	A	2,750
	Breaking capacity limit short-circuit current (Icu) / at 415 V / rated value		kA	55
	Operating short-circuit current breaking capacity (Ics)			
• at 480 V / in accordance with NEMA / rated value		kA	65	
• at 600 V / in accordance with NEMA / rated value		kA	75	

Installation/mounting/dimensions:

Type of mounting		fixed mounting
Height	mm	185.5
Width	mm	104.5
Depth	mm	106.5

Connections:

Arrangement of electrical connectors / for main current circuit		front side
Design of the electrical connection / for main current circuit		screw-type terminals

Certificates/approvals:

Further information:

Information- and Downloadcenter (Catalogs, Brochures,...)

<http://www.siemens.com/lowvoltage/catalogs>

Industry Mall (Online-Bestellsystem)

<http://www.siemens.com/lowvoltage/mall>

Service&Support (Manuals, Certificates, Characteristics, FAQs,...)

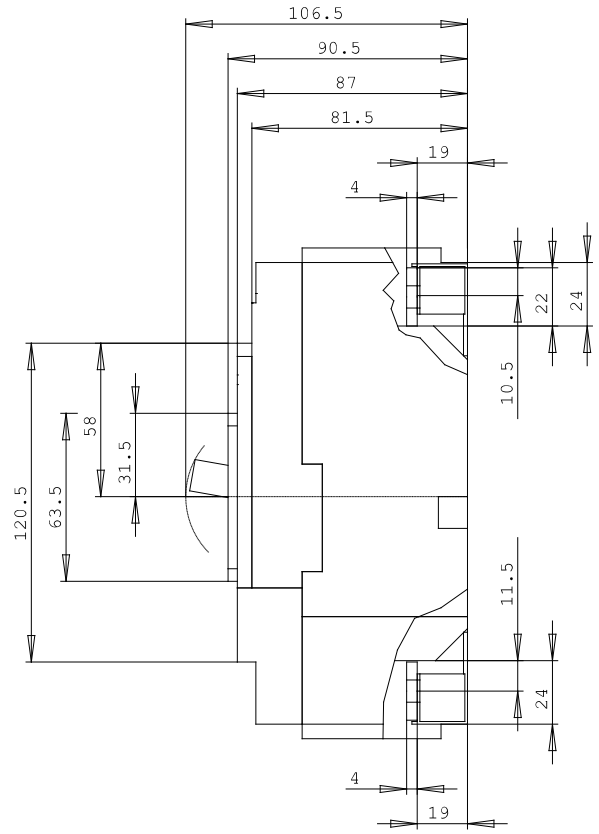
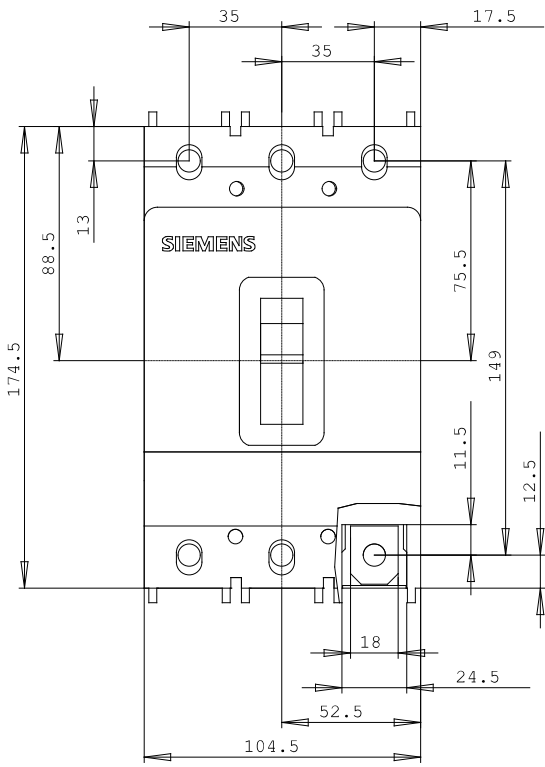
<http://support.automation.siemens.com/WW/view/en/3VL3725-1SS36-0AB1/all>

Image database (product images, 2D dimension drawings, 3D models, device circuit diagrams, ...)

http://www.automation.siemens.com/bilddb/cax_en.aspx?mlfb=3VL3725-1SS36-0AB1

CAX-Online-Generator

<http://www.siemens.com/cax>



last change:

Nov 28, 2011