

CIRCUIT-BREAKER VL 250H WITHOUT OVERCURRENT
 RELEASE HIGH SWITCHING CAPACITY I_{CU}= 70 KA / 415
 V AC,
 3-POLE I_N= < 250 A,
 RATED CURRENT WITHOUT AUXILIARY RELEASE WITH
 SCREW CONNECTIONS FOR CONTACT UNIT AND
 OVERVOLTAGE RELEASE

Similar to image

General technical data:

Ambient temperature / during the operating phase	°C	-25 ... 70
Number of poles		3
Product function		
• Overload protection		No
• for zero conductors / short-circuit and overload protection		No
Product component		
• auxiliary switch		No
• Undervoltage release mechanism		No
• Voltage trigger		No
Protection class IP		IP20
Derating temperature / for the rated value of the continuous current	°C	50
• acc. to UL 489	°C	40
Item designation		
• according to DIN 40719 extendable after IEC 204-2 / according to IEC 750		Q
• according to DIN EN 61346-2		Q

Main circuit:

Continuous current / rated value	A	250
Operating voltage / for main current circuit		
• at 50 Hz / for AC / maximum	V	690
• at 60 Hz / for AC / maximum	V	690
• at 50 Hz / for AC / acc. to UL 489 / maximum	V	600
• at 60 Hz / for AC / acc. to UL 489 / maximum	V	600

Auxiliary circuit:

Number of NC contacts / for auxiliary contact		0
Number of NO contacts / for auxiliary contact		0
Number of change-over switches / for auxiliary contact		0

Short-circuit:

Breaking capacity limit short-circuit current (I_{cu})		
• at 400 V / rated value	kA	70
• at 415 V / rated value	kA	70
• at 480 V / rated value	kA	50

Installation/mounting/dimensions:

Type of fixing/fixation		fixed mounting
Height	mm	185.5
Depth	mm	106.5

Connections:

Design of the electrical connection		
• for main current circuit		screw-type terminals
Arrangement of electrical connectors		
• for main current circuit		front side

Further information:

Information- and Downloadcenter (Catalogs, Brochures,...)

<http://www.siemens.com/lowvoltage/catalogs>

Global Industry Mall (Online ordering system)

<http://www.siemens.com/lowvoltage/mall>

Service&Support (Manuals, Certificates, Characteristics, FAQs,...)

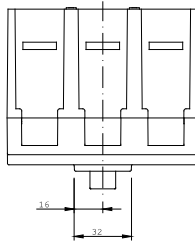
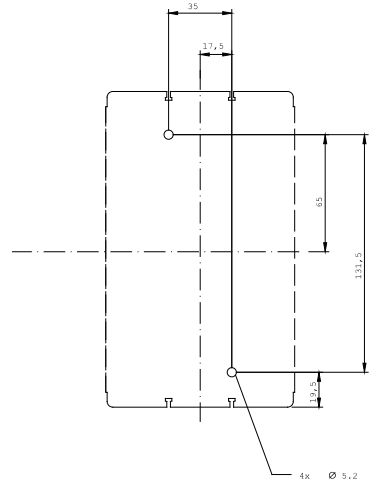
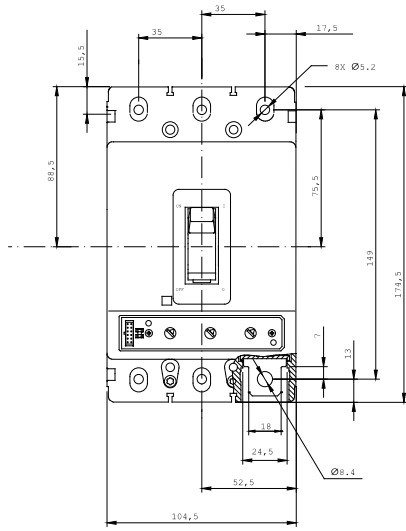
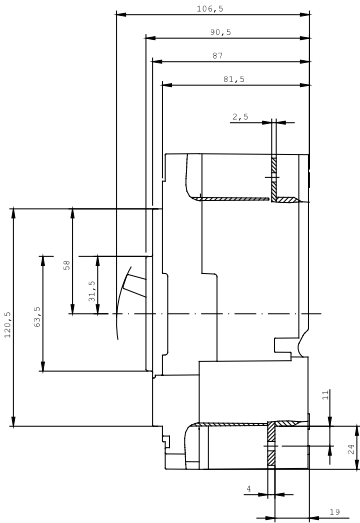
<http://support.automation.siemens.com/WW/view/en/3VL3725-2AA36-0AA0/all>

Image database (product images, 2D dimension drawings, 3D models, device circuit diagrams, ...)

http://www.automation.siemens.com/bilddb/cax_en.aspx?mlfb=3VL3725-2AA36-0AA0

Tender specifications

[Datanorm GAEB81](#) [GAEB83](#) [RTF](#) [TXT](#)



last change:

Jun 14, 2010