

CIRCUIT-BREAKER VL 1250H HIGH SWITCHING
 CAPACITY ICU=70KA / 415 V AC 3 POLE,
 LINE PROTECTION OVERCURRENT RELEASE ETU10,
 LI IN=1250A,
 RATED CURRENT IR=500-1250A,
 OVERLOAD II=1,25TO10XIN, SHORT CIRCUIT

Similar to image

General technical data:		
Number of poles		3
Design of the overcurrent release		ETU10
Acceptability for application		system protection
Electrical operating cycles as operating time / typical		1,500
Mechanical operating cycles as operating time / typical		3,000
Active power loss / maximum	W	210
Product component		
• auxiliary switch		No
• Voltage trigger		No
• undervoltage release mechanism		No
• undervoltage release with leading contact		No
Product function		
• of the thermal overload release		adjustable
• ground-fault protection		No
• for zero conductors / short-circuit and overload protection		No
• overload protection		Yes
Operating cycles / maximum	1/s	30
Protection class IP		IP20

Protective function of the overcurrent release		LI
Impulse voltage resistance / rated value	kV	8
Ambient temperature		
• during operating		
• minimum	°C	-25 ...
• maximum	°C	70
• during storage		
• minimum	°C	-40
• maximum	°C	50

Main circuit:

Insulation voltage / for AC / rated value	V	800
Operating frequency		
• 1 / rated value	Hz	50
• 2 / rated value	Hz	60
Item designation		
• according to DIN 40719 extendable after IEC 204-2 / according to IEC 750		Q
• according to DIN EN 61346-2		Q
Operating voltage		
• for main current circuit		
• at 50 Hz / for AC		
• maximum	V	690
• at 60 Hz / for AC		
• maximum	V	690
Operating current		
• at 40 °C / rated value	A	1,250
• at 50 °C / rated value	A	1,250
• at 60 °C / rated value	A	1,187.5
• at 70 °C / rated value	A	1,000
Continuous current / rated value	A	1,250
Derating temperature / for the rated value of the continuous current	°C	50

Auxiliary circuit:

Number of NC contacts / for auxiliary contacts		0
Number of NO contacts / for auxiliary contacts		0

Short-circuit:

Adjustable response current		
• of the current-dependent overload release		
• initial value	A	500 ...

<ul style="list-style-type: none"> • final value 	A	1,250
<ul style="list-style-type: none"> • of the non-delayed short-circuit release 		
<ul style="list-style-type: none"> • initial value 	A	1,563 ...
<ul style="list-style-type: none"> • final value 	A	12,500
Breaking capacity limit short-circuit current (I_{cu}) / at 415 V / rated value	kA	70

Installation/mounting/dimensions:

Type of mounting		fixed mounting
Height	mm	406.5
Width	mm	228.5
Depth	mm	333.5

Connections:

Arrangement of electrical connectors / for main current circuit		front side
Design of the electrical connection / for main current circuit		screw-type terminals
Type of the connectable conductor cross-section		
<ul style="list-style-type: none"> • for auxiliary contacts 		
<ul style="list-style-type: none"> • solid 		0,75 ... 1.5 mm ²
<ul style="list-style-type: none"> • finely stranded / with conductor end processing 		0.75 ... 1.0 mm ²

Certificates/approvals:

Further information:

Information- and Downloadcenter (Catalogs, Brochures,...)

<http://www.siemens.com/lowvoltage/catalogs>

Industry Mall (Online ordering system)

<http://www.siemens.com/lowvoltage/mall>

Service&Support (Manuals, Certificates, Characteristics, FAQs,...)

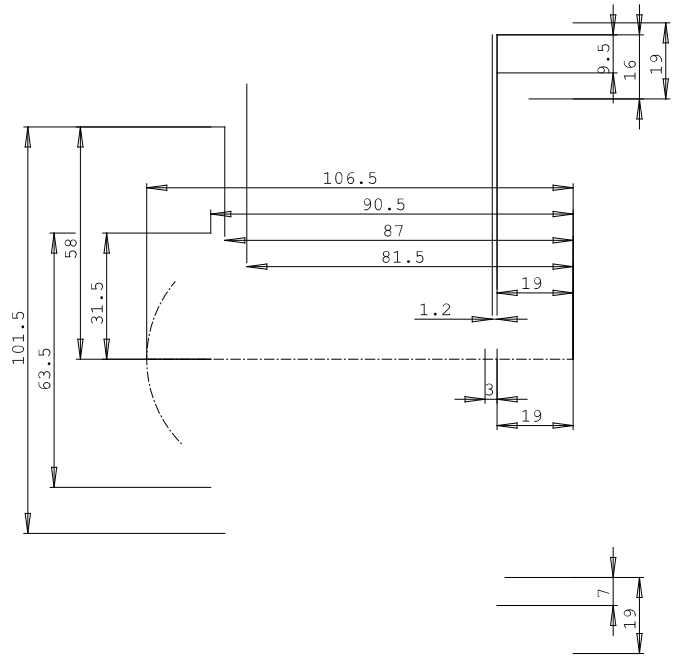
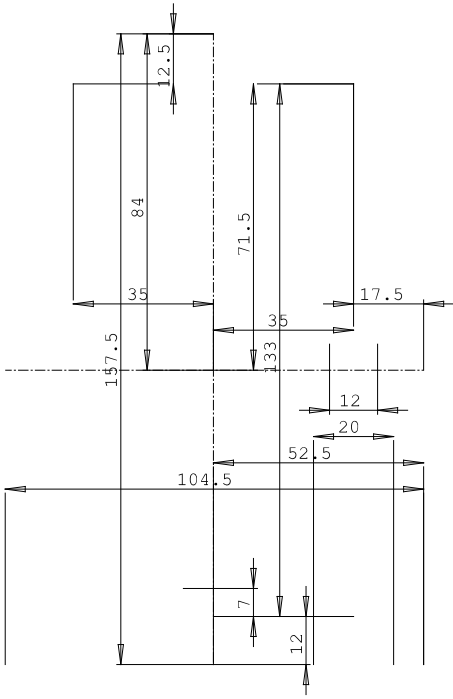
<http://support.automation.siemens.com/WW/view/en/3VL7712-2AB36-0AA0/all>

Image database (product images, 2D dimension drawings, 3D models, device circuit diagrams, ...)

http://www.automation.siemens.com/bilddb/cax_en.aspx?mlfb=3VL7712-2AB36-0AA0

CAX-Online-Generator

<http://www.siemens.com/cax>



last change:

Nov 6, 2012