

ACCESSORY FOR VL160X, VL160, VL250, STORED ENERGY OPERATOR 24V DC

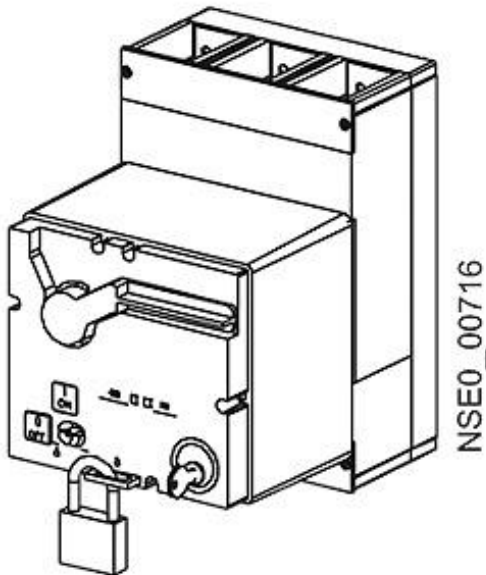


Figure similar

Model	
product brandname	SETRON
Product designation	Motorized operating mechanism with stored energy mechanism
Type of the driving mechanism	Motorized operating mechanism with spring energy store
General technical data	
Break time / typical	5 s
Operating frequency / maximum	120 1/h
Voltage	
Fuse protection type / for external auxiliary power supply / required	NEOZED fuse (gL/gG): 6 A / miniature circuit breaker, C char.: 6 A
Operating range factor control supply voltage rated value	
<ul style="list-style-type: none"> <li>• at AC / at 60 Hz / initial value</li> <li>• at AC / at 60 Hz / Full-scale value</li> <li>• at DC / initial value</li> <li>• at DC / Full-scale value</li> </ul>	<p>0.85</p> <p>1.1</p> <p>0.85</p> <p>1.1</p>

Protection class	
Protection class IP	IP30
Electricity	
Make time / typical	0.1 s
Control current	
Operating apparent output	100 V·A
Control supply voltage	
• at DC / rated value / minimum	24 V
• at DC / rated value / maximum	24 V
Operating range factor control supply voltage rated value / at AC / at 50 Hz	
• initial value	0.85
• Full-scale value	1.1
Accessories	
accessories	Accessories for VL160X; VL160; VL250
Connections	
Connectable conductor cross-section / stranded	
• minimum	0.75 mm <sup>2</sup>
• maximum	1.5 mm <sup>2</sup>
Wire stripping length	10 mm
Connectable conductor cross-section	
• solid	
— minimum	0.75 mm <sup>2</sup>
— maximum	1.5 mm <sup>2</sup>
• finely stranded / with core end processing	
— minimum	0.75 mm <sup>2</sup>
— maximum	1.5 mm <sup>2</sup>
Tightening torque	
• minimum	1 N·m
• maximum	1.2 N·m
Mechanical Design	
Height	103 mm
Width	98 mm
Depth	166 mm
Net weight	2 755 g
Environmental conditions	
Ambient temperature	
• during operation / minimum	-25 °C
• during operation / maximum	70 °C
• during storage / minimum	-40 °C

• during storage / maximum

80 °C

## Certificates

### Equipment marking

- acc. to DIN EN 61346-2
- acc. to DIN EN 81346-2

M  
M

General Product Approval	EMC	Declaration of Conformity	Test Certificates	Shipping Approval
--------------------------	-----	---------------------------	-------------------	-------------------

[sonstig](#)



C-Tick



EG-Konf.

[spezielle Prüfbescheinigungen](#)  
[n](#)



BUREAU VERITAS



PRS

Shipping Approval	other
-------------------	-------



RINA



RMRS

[Bestätigungen](#)

[Umweltbestätigung](#)

[sonstig](#)

## Further information

### Information- and Downloadcenter (Catalogs, Brochures,...)

<http://www.siemens.com/lowvoltage/catalogs>

### Industry Mall (Online ordering system)

<https://mall.industry.siemens.com/mall/en/en/Catalog/product?mlfb=3VL9300-3MJ00>

### Service&Support (Manuals, Certificates, Characteristics, FAQs,...)

<http://support.automation.siemens.com/WWW/view/en/3VL9300-3MJ00/all>

### Image database (product images, 2D dimension drawings, 3D models, device circuit diagrams, ...)

[http://www.automation.siemens.com/bilddb/cax\\_en.aspx?mlfb=3VL9300-3MJ00](http://www.automation.siemens.com/bilddb/cax_en.aspx?mlfb=3VL9300-3MJ00)

### CAX-Online-Generator

<http://www.siemens.com/cax>

### Tender specifications

<http://www.siemens.com/specifications>

