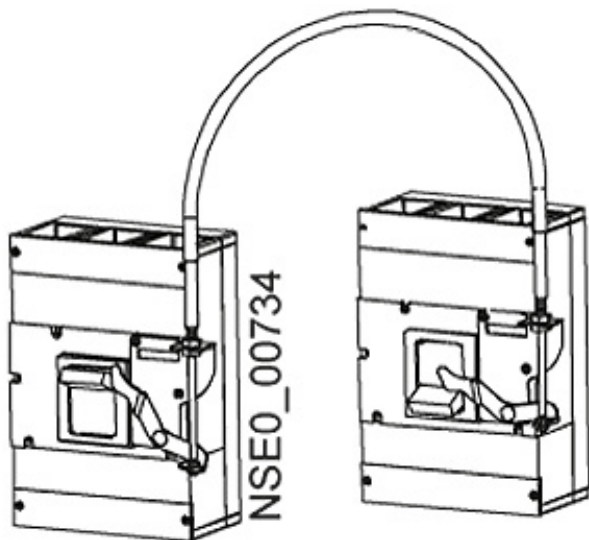


ACCESSORY FOR VL630, VL800,
CABLE INTERLOCK SYSTEM



General technical data:

Accessories

Accessories for VL630, VL800

Certificates/approvals:

General Product Approval



CSA

Declaration of Conformity



EG-Konf.

Test Certificates

[Special Test Certificate](#)

Shipping Approval



GL



PRS



RINA

other

[Confirmation](#)

[other](#)

[Environmental Confirmations](#)

Further information:

Information- and Downloadcenter (Catalogs, Brochures,...)

<http://www.siemens.com/lowvoltage/catalogs>

Industry Mall (Online ordering system)

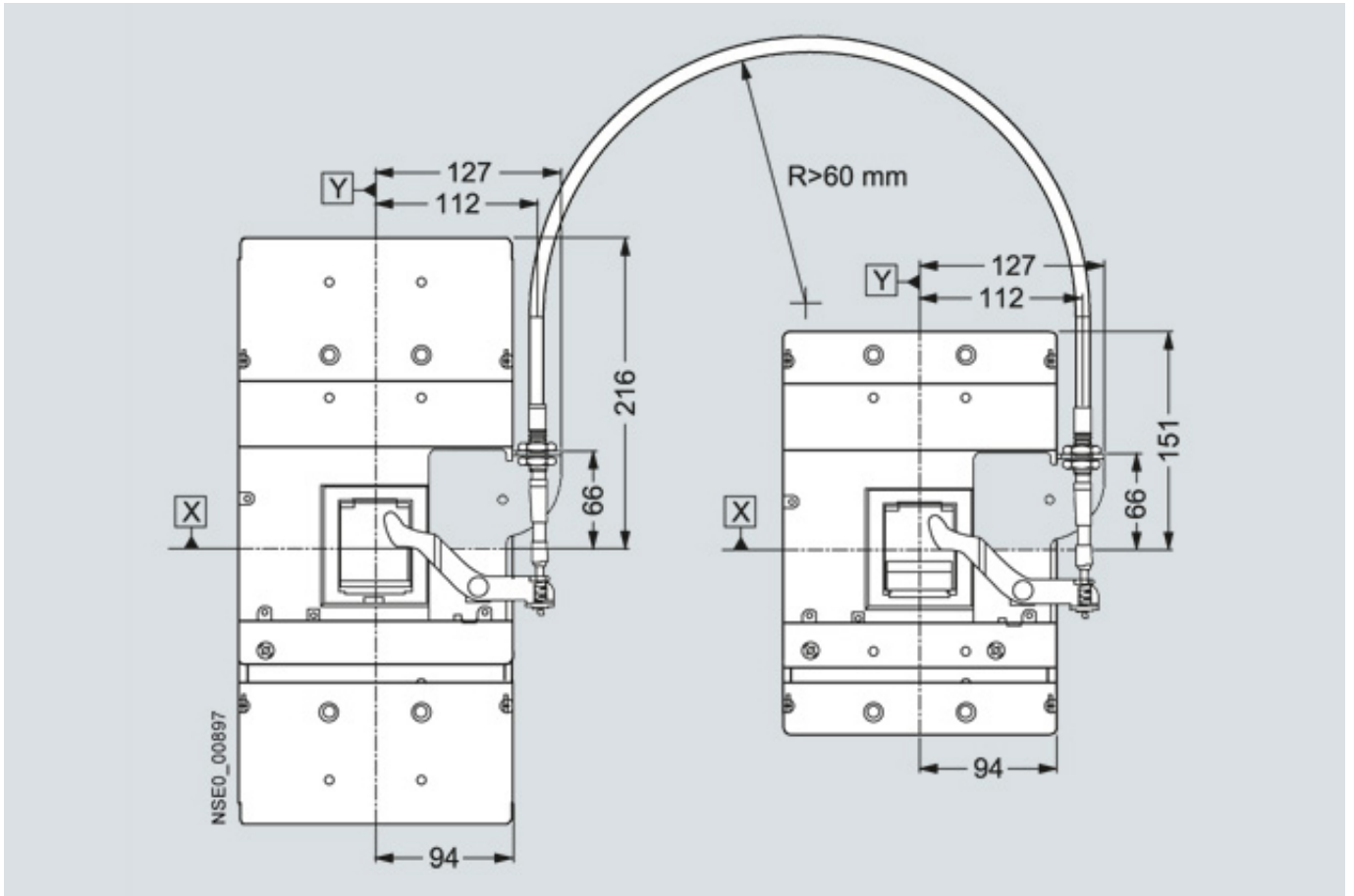
<http://www.siemens.com/lowvoltage/mall>

Service&Support (Manuals, Certificates, Characteristics, FAQs,...)

<http://support.automation.siemens.com/WWW/view/en/3VL9600-8LA00/all>

Image database (product images, 2D dimension drawings, 3D models, device circuit diagrams, ...)

http://www.automation.siemens.com/bilddb/cax_en.aspx?mlfb=3VL9600-8LA00



last change:

Sep 23, 2013