








ACCESSORY FOR VL1250, VL1600, ROTARY DRIVE, DIRECT STANDARD



Figure similar

Model	
product brandname	SETRON
Accessories	
accessories	Accessories for VL1250, VL1600

General Product Approval	EMC	Declaration of Conformity	Test Certificates	Shipping Approval
sonstig  UL	 C-Tick	 EG-Konf.	spezielle Prüfbescheinigungen n	 BUREAU VERITAS

Shipping Approval	other
 PRS	 RINA
 RMRS	Umweltbestätigung
	sonstig
	Bestätigungen

Further information

Information- and Downloadcenter (Catalogs, Brochures,...)

<http://www.siemens.com/lowvoltage/catalogs>

Industry Mall (Online ordering system)

<https://mall.industry.siemens.com/mall/en/en/Catalog/product?mlfb=3VL9800-3HA00>

Service&Support (Manuals, Certificates, Characteristics, FAQs,...)

<http://support.automation.siemens.com/WW/view/en/3VL9800-3HA00/all>

Image database (product images, 2D dimension drawings, 3D models, device circuit diagrams, ...)

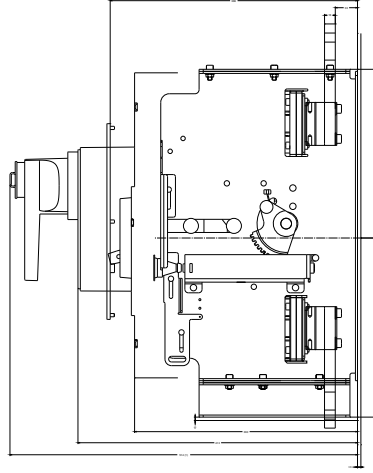
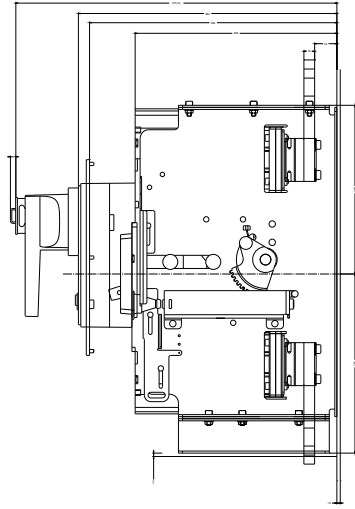
http://www.automation.siemens.com/bilddb/cax_en.aspx?mlfb=3VL9800-3HA00

CAX-Online-Generator

<http://www.siemens.com/cax>

Tender specifications

<http://www.siemens.com/specifications>



01 Ausgefahren
02 Eingefahren