

RES.CUR.OP.CIRCUIT BREAKER TYPE A 40A 1+N-  
POLE 30MA 230V 2MW



Model		
product brand name		SENTRON
Product designation		RCCB
Design of the product		Instantaneous
General technical data		
Number of poles		2
Size of installation devices / acc. to DIN 43880		1
Protection against electrical shock		Finger and back-of-hand safe
Short-circuit current rating	kA	10
circuit-breaker / Design		5SV3
Mechanical service life (switching cycles) / typical		10 000
Overvoltage category		III
Supply voltage		
Supply voltage		
<ul style="list-style-type: none"> <li>at AC / rated value</li> </ul>	V	230
<ul style="list-style-type: none"> <li>for testing equipment / minimum</li> </ul>	V	195
Supply voltage frequency		
<ul style="list-style-type: none"> <li>rated value</li> </ul>		50Hz

Protection class		
<b>Protection class IP</b>		IP20, if the distribution board is installed, with connected conductors
Switching capacity		
<b>Switching capacity current</b>		
• acc. to EN 60898 / rated value	kA	0.5
Dissipation		
<b>Power loss [W]</b>		
• for rated value of the current / at AC / in hot operating state / per pole	W	2.6
• maximum	W	1
Electricity		
<b>Tripping residual current / rated value</b>	mA	30
rated current $I_n$ / IEC, DIN/VDE / at 40 Cel	A	40
<b>Type of fault current</b>		A
Current / at AC / rated value	A	40
<b><math>I^2t</math>-value / permissible</b>	A <sup>2</sup> ·s	15 620
Surge current resistance / rated value	kA	1
<b>Operating frequency</b>		50/60Hz
Product details		
<b>Product feature</b>		
• halogen-free		Yes
• silicon-free		Yes
Product extension / can be installed / supplementary devices		Yes
Number		
<b>Number of test cycles / for environmental testing / acc. to IEC 60068-2-30</b>		28
Connections		
<b>Connectable conductor cross-section / stranded</b>		
• minimum	mm <sup>2</sup>	0.75
• maximum	mm <sup>2</sup>	35
<b>Connectable conductor cross-section / solid</b>		
• minimum	mm <sup>2</sup>	0.75
• maximum	mm <sup>2</sup>	35
<b>Tightening torque / with screw-type terminals</b>		
• minimum	N·m	2.5
• maximum	N·m	3
Position / of power supply cord		top or bottom
Mechanical Design		

Height	mm	90
Width	mm	36
Depth	mm	70
Mounting position		any
Installation depth	mm	70
Number of width units		2
Mounting type		DIN rail (REG)
Net weight	g	208

#### Environmental conditions

##### Ambient temperature

• minimum	°C	-25
• maximum	°C	45
• during storage / minimum permissible	°C	-40
• during storage / maximum permissible	°C	75

#### Certificates

##### Equipment marking

• acc. to DIN EN 61346-2	F
• acc. to DIN EN 81346-2	F

#### General Product Approval



[sonstig](#)

#### Further information

##### Information- and Downloadcenter (Catalogs, Brochures,...)

<http://www.siemens.com/lowvoltage/catalogs>

##### Industry Mall (Online ordering system)

<https://eb.automation.siemens.com/mall/en/WW/Catalog/Product/5SV3314-6>

##### Service&Support (Manuals, Certificates, Characteristics, FAQs,...)

<http://support.automation.siemens.com/WW/view/en/5SV3314-6/all>

##### Image database (product images, 2D dimension drawings, 3D models, device circuit diagrams, ...)

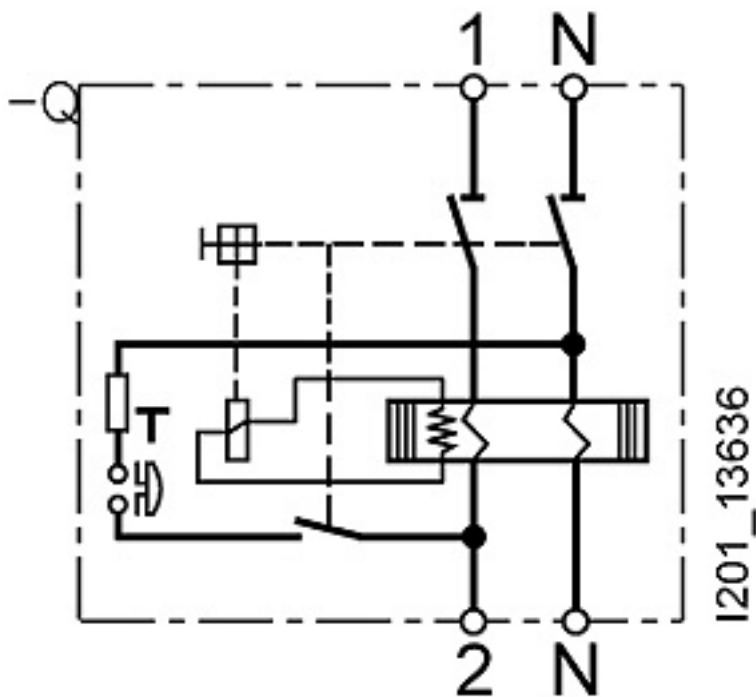
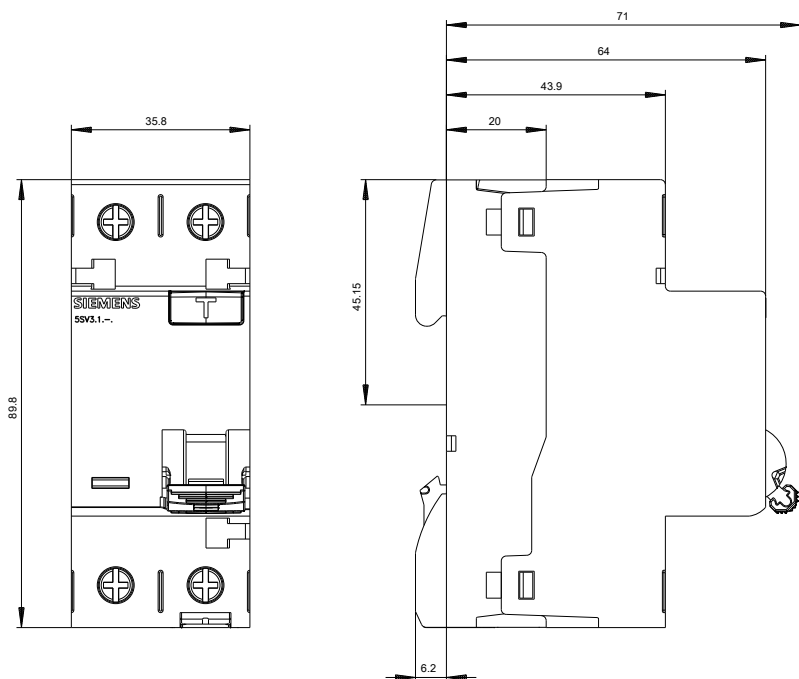
[http://www.automation.siemens.com/bilddb/cax\\_en.aspx?mlfb=5SV3314-6](http://www.automation.siemens.com/bilddb/cax_en.aspx?mlfb=5SV3314-6)

##### CAX-Online-Generator

<http://www.siemens.com/cax>

##### Tender specifications

<http://ausschreibungstexte.siemens.com/tiplv>



last modified:

07/13/2016