



SCHUKO SOCKET 16A WITH EARTHING PIN ACC. TO CEE 7 FOR INSTALL. IN DISTRIB. BOARDS

Similar to image

Technical data:

Product component / Error current protection	No
Product function / Socket selectable	No
Product function / Overvoltage protection	No
Product component / Ejection equipment	No
Product component / Child protection	No
Product component / Hinged lid	No
Product component / [nicht versorgt - Feinsicherung]	No
Product component / Lettering field	No
Product component / integrated / Fluorescent materials	No
Design of the product	others
Design of the electrical connection	screw-type terminal
Design of the special power supply unit	without special current supply
Version de la prise de courant / selon VDE 0620 pour conditions difficiles	No
Caractéristique produit / verrouillable	No
Design of the cover	central plate
Material	others
Appearance	matt

Number of units		1
Type of mounting		others
Color		grey
Surface processing		others
Product feature / halogen-free		Yes
order of contacts / diagonal		No
Labeling / [nicht versorgt - der Steckdose]		without imprint
Operating current / [nicht versorgt - Nennwert]	A	16
Operating frequency	Hz	50 ... 50
Operating voltage / nominal value	V	230
Material / of the housing		others
Protection class IP		IP20
Mounting type		others

Further information:

Information- and Downloadcenter (Catalogs, Brochures,...)

<http://www.siemens.com/lowvoltage/catalogs>

Global Industry Mall (Online ordering system)

<http://www.siemens.com/lowvoltage/mall>

Service&Support (Manuals, Certificates, Characteristics, FAQs,...)

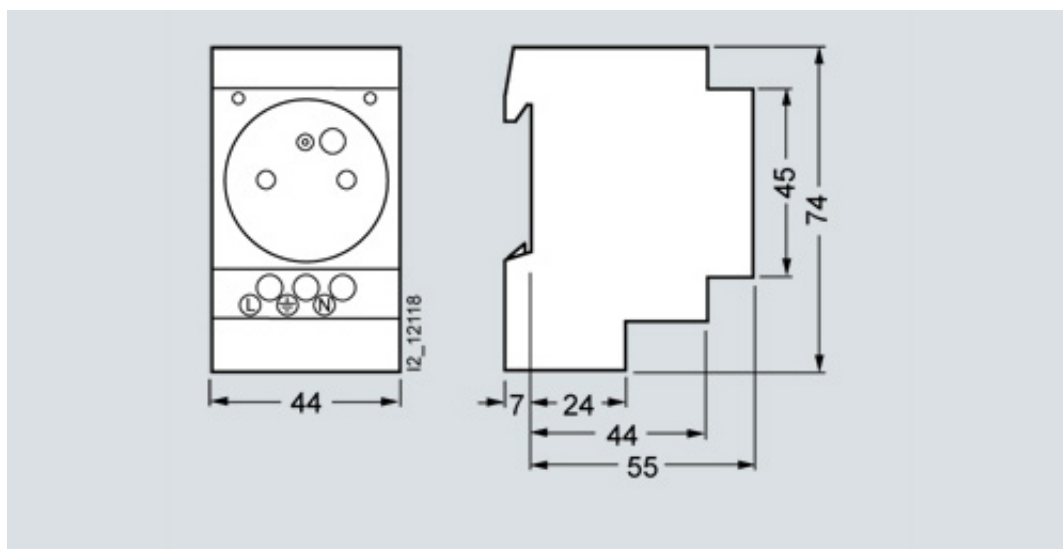
<http://support.automation.siemens.com/WWW/view/en/5TE6803/all>

Image database (product images, 2D dimension drawings, 3D models, device circuit diagrams, ...)

http://www.automation.siemens.com/bilddb/cax_en.aspx?mlfb=5TE6803

Tender specifications

[Datanorm GAEB81](#) [GAEB83](#) [RTF](#) [TXT](#)



last change:

Sep 6, 2010