

Dimension drawings

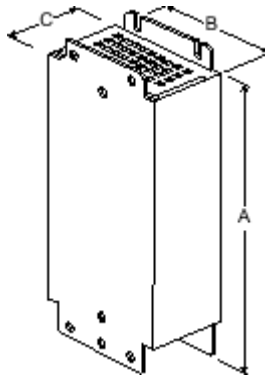
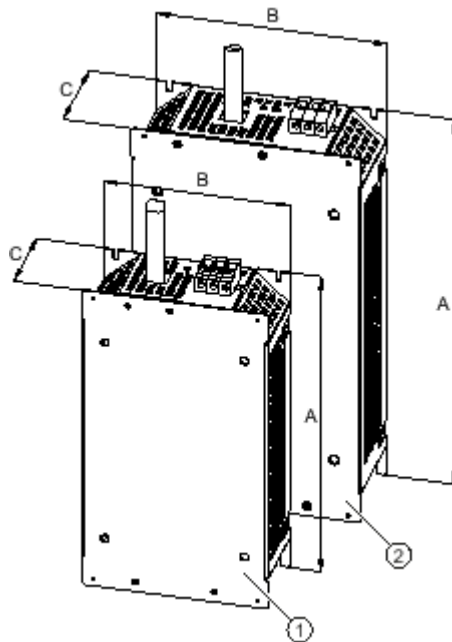


Figure 1 Dimension drawing, motor reactor, frame size FSA

Table 1 Dimensions, motor reactor, frame size FSA

| Motor reactor 6SE6400- | 3TC00-4AD2 |
|------------------------|-------------|
| Frame size | FSA |
| A in mm (inch) | 200 (7.87) |
| B in mm (inch) | 75.5 (2.97) |
| C in mm (inch) | 110 (4.33) |

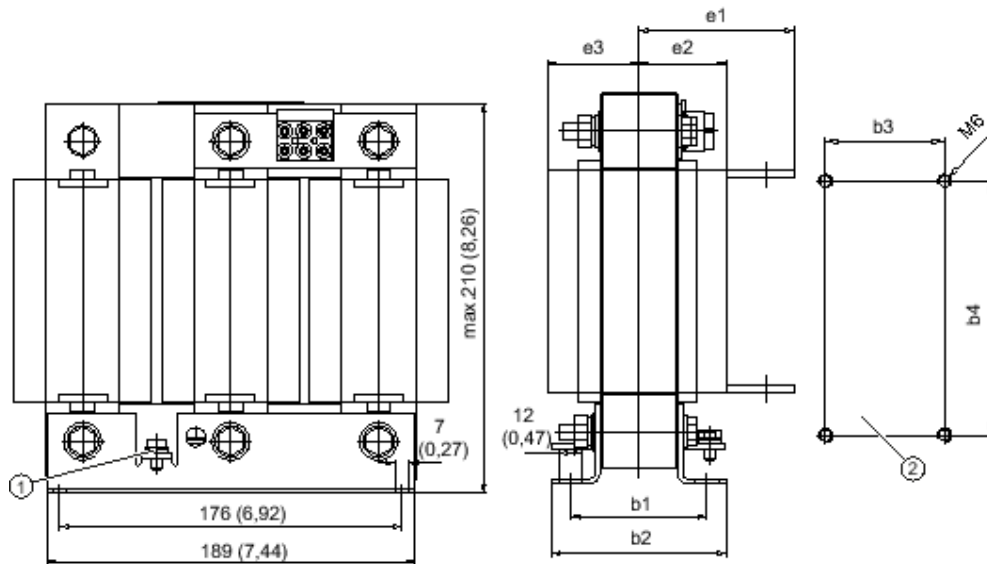


- ① Frame size FSB
- ② Frame size FSC

Figure 2 Dimension drawing, motor reactor, frame sizes FSB / FSC

Table 2 Dimensions, motor reactor, frame sizes FSB / FSC

| Motor reactor 6SL3202- | 0AE21-0CA0 | 0AJ23-2CA0 |
|------------------------|-------------|-------------|
| Frame size | FSB | FSC |
| A in mm (inch) | 270 (10.62) | 334 (13.14) |
| B in mm (inch) | 153 (6.02) | 189 (7.44) |
| C in mm (inch) | 70 (2.75) | 50 (1.96) |

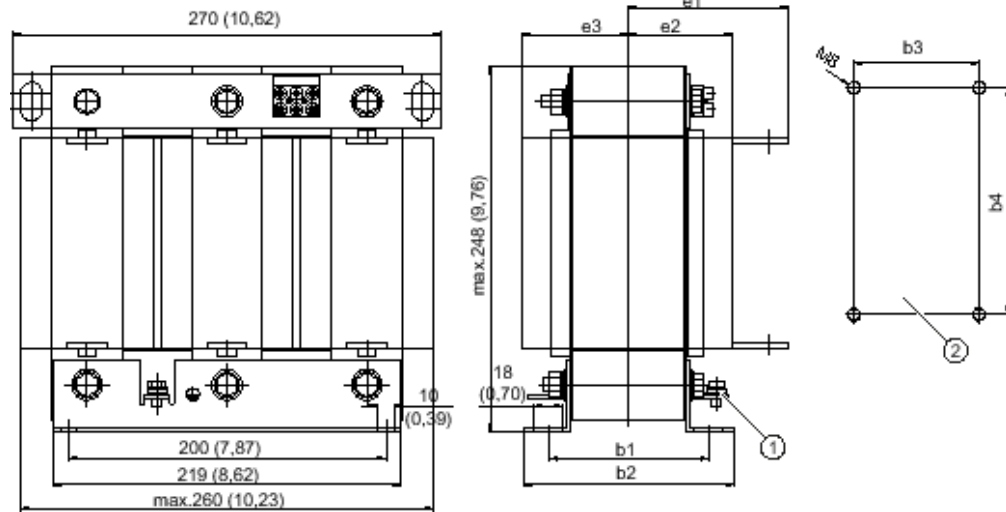


- ① Protective conductor connection (M6 x 12)
- ② Mounting hole

Figure 3 Dimension drawing, motor reactor, frame size FSD

Table 3 Dimensions, motor reactor, frame size FSD in mm (inch)

| Motor reactor 6SE6400- | 3TC05-4DD0 | 3TC03-8DD0 |
|------------------------|------------|------------|
| Frame size | FSD | FSD |
| b1 | 70 (2.75) | 94 (3.70) |
| b2 | 91 (3.58) | 115 (4.52) |
| b3 | 70 (2.75) | 94 (3.70) |
| b4 | 176 (6.92) | 176 (6.92) |
| e1 | 91 (3.58) | 103 (4.05) |
| e2 | 57 (2.24) | 69 (2.71) |
| e3 | 49 (1.92) | 61 (2.40) |

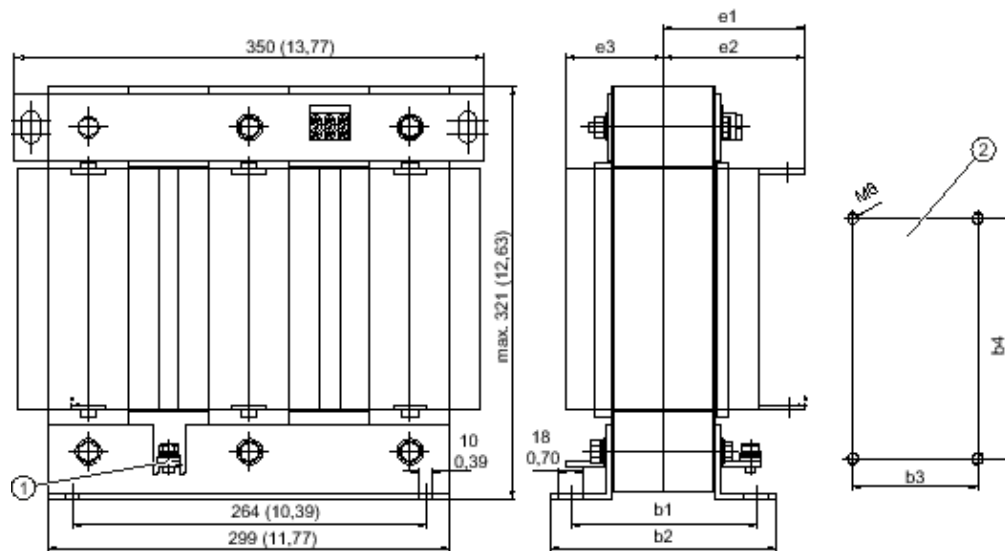


- ① Protective conductor connection (M 6x12)
- ② Mounting hole

Figure 4 Dimension drawing, motor reactor, frame size FSE

Table 4 Dimensions, motor reactor, frame size FSE in mm (inch)

| Motor reactor 6SE6400- | 3TC07-5ED0 | 3TC08-0ED0 |
|------------------------|------------|--------------------|
| Frame size | FSE | FSE |
| b1 | 101 (3.97) | 70 (2.75) |
| b2 | 133 (5.23) | 90 (3.54) |
| b3 | 101 (3.97) | 70 (2.75) |
| b4 | 200 (7.87) | 176 (6.92) |
| e1 | 110 (4.33) | 89 ±2 (3.50 ±0.07) |
| e2 | 76 (2.99) | 79 ±2 (3.50 ±0.07) |
| e3 | 68 (2.67) | - |



- ① Protective conductor connection (M 8x16)
- ② Mounting hole

Figure 5 Dimension drawing, motor reactor, frame size FSF

Table 5 Dimensions, motor reactor, frame size FSF in mm (inch)

| Motor reactor 6SE6400- | 3TC14-5FD0 | 3TC15-4FD0 |
|------------------------|-------------|---------------------|
| Frame size | FSF | FSF |
| b1 | 138 (5.43) | 101 (3.97) |
| b2 | 169 (6.65) | 121 (4.76) |
| b3 | 138 (5.43) | 101 (3.97) |
| b4 | 264 (10.39) | 200 (7.87) |
| e1 | 131 (5.15) | 119 ±2 (4.68 ±0.07) |
| e2 | 90 (3.54) | 109 ±2 (4.29 ±0.07) |
| e3 | 78 (3.07) | - |