

shaft jack for 8UD handle 3KD1, 3KD2, 3KF1, 3KC1, 3KC2



Model			
product brand name	SENTRON		
product designation	shaft jack for 8UD handle		
suitability for use	for 3KD size 1 and 2, 3KF1, 3KC0 size 1 and 2		
Product details			
product description	shaft jack		
Mechanical Design			
net weight	160 g		
General Product Approval		Declaration of Conformity	
		Marine / Shipping	
		other	



[Confirmation](#)

other		Environment	
Miscellaneous		Environmental Conformations	

Further information

Siemens has decided to exit the Russian market (see here).
<https://press.siemens.com/global/en/pressrelease/siemens-wind-down-russian-business>

Siemens is working on the renewal of the current EAC certificates.
 Please contact your local Siemens office on the status of validity of the EAC certification if you intend to import or offer to supply these products to an EAC relevant market (other than the sanctioned EAEU member states Russia or Belarus).

Information on the packaging
<https://support.industry.siemens.com/cs/ww/en/view/109813875>

Information- and Downloadcenter (Catalogs, Brochures,...)
<http://www.siemens.com/lowvoltage/catalogs>

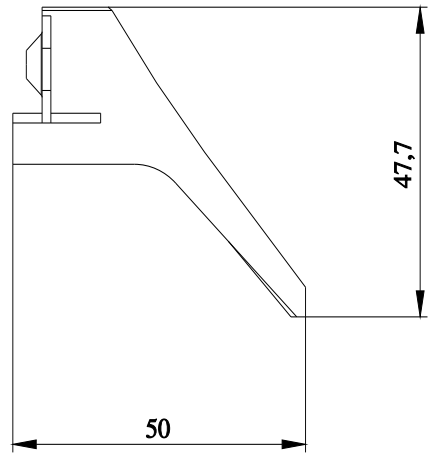
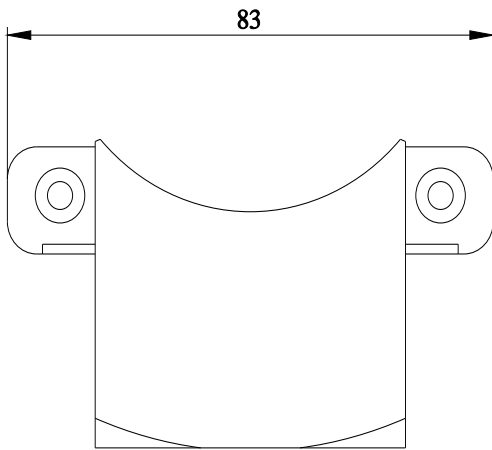
Industry Mall (Online ordering system)
<https://mall.industry.siemens.com/mall/en/en/Catalog/product?mlfb=8UD1900-0FA00>

Service&Support (Manuals, Certificates, Characteristics, FAQs,...)
<https://support.industry.siemens.com/cs/ww/en/ps/8UD1900-0FA00>

Image database (product images, 2D dimension drawings, 3D models, device circuit diagrams, ...)
http://www.automation.siemens.com/bilddb/cax_en.aspx?mlfb=8UD1900-0FA00

CAX-Online-Generator
<http://www.siemens.com/cax>

Tender specifications
<http://www.siemens.com/specifications>



last modified:

7/29/2022 

