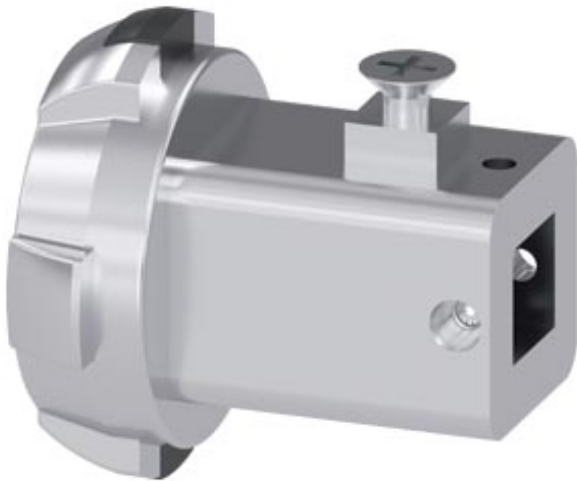


Door-coupling Size 10x 10



### Model

Product brand name	SETRON
Product designation	Accessories
Design of the product	Door coupling

### Product details

Product component	
• axis extension	No

### Accessories

accessories	Door coupling
-------------	---------------

### Certificates

General Product Approval	Declaration of Conformity	Shipping Approval	other
--------------------------	---------------------------	-------------------	-------



[Miscellaneous](#)

## Further information

### Information- and Downloadcenter (Catalogs, Brochures,...)

<http://www.siemens.com/lowvoltage/catalogs>

### Industry Mall (Online ordering system)

<https://mall.industry.siemens.com/mall/en/en/Catalog/product?mlfb=8UD1900-3HA00>

### Service&Support (Manuals, Certificates, Characteristics, FAQs,...)

<https://support.industry.siemens.com/cs/ww/en/ps/8UD1900-3HA00>

### Image database (product images, 2D dimension drawings, 3D models, device circuit diagrams, ...)

[http://www.automation.siemens.com/bilddb/cax\\_en.aspx?mlfb=8UD1900-3HA00](http://www.automation.siemens.com/bilddb/cax_en.aspx?mlfb=8UD1900-3HA00)

### CAX-Online-Generator

<http://www.siemens.com/cax>

### Tender specifications

<http://www.siemens.com/specifications>

