

Door-coupling Size 12x 12, for 3KD



Model	
product brand name	SETRON
product designation	door coupling
design of the product	size 12x 12 mm
size of cross-section of the shaft of door-coupling rotary operating mechanism	12x12 mm
suitability for use	for door mounted rotary operator 3KD/3KF/3KC0 size 5

Product details	
product description	without lighting
product component	No
<ul style="list-style-type: none"> <li>extension shaft</li> </ul>	No

Mechanical Design	
height	90 mm
width	50 mm
depth	50 mm
net weight	100 g

Approvals Certificates	
General Product Approval	Test Certificates



[Type Test Certificates/Test Report](#)

Marine / Shipping	other	Environment
-------------------	-------	-------------



LRS

[Confirmation](#)

[Miscellaneous](#)

[Environmental Confirmations](#)

### Further information

Siemens has decided to exit the Russian market (see here).

<https://press.siemens.com/global/en/pressrelease/siemens-wind-down-russian-business>

Siemens is working on the renewal of the current EAC certificates.

Please contact your local Siemens office on the status of validity of the EAC certification if you intend to import or offer to supply these products to an EAC relevant market (other than the sanctioned EAEU member states Russia or Belarus).

Information on the packaging

<https://support.industry.siemens.com/cs/ww/en/view/109813875>

Information- and Downloadcenter (Catalogs, Brochures,...)

<http://www.siemens.com/lowvoltage/catalogs>

Industry Mall (Online ordering system)

<https://mall.industry.siemens.com/mall/en/en/Catalog/product?mifb=8UD1900-4HA00>

Service&Support (Manuals, Certificates, Characteristics, FAQs,...)

<https://support.industry.siemens.com/cs/ww/en/ps/8UD1900-4HA00>

Image database (product images, 2D dimension drawings, 3D models, device circuit diagrams, ...)

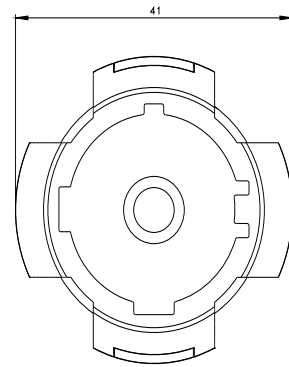
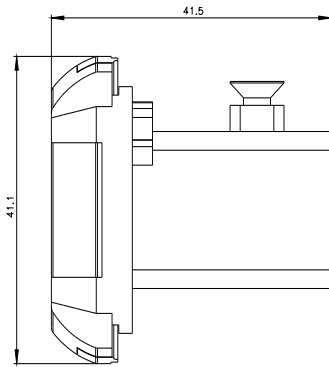
[http://www.automation.siemens.com/bilddb/cax\\_en.aspx?mifb=8UD1900-4HA00](http://www.automation.siemens.com/bilddb/cax_en.aspx?mifb=8UD1900-4HA00)

CAX-Online-Generator

<http://www.siemens.com/cax>

Tender specifications

<http://www.siemens.com/specifications>



---

last modified:

7/29/2022 

