

TWO-TIER TERMINAL THERMOPLASTIC CONNECTION ON BOTH ENDS DIODE TERMINAL, 6.5MM SZ 4

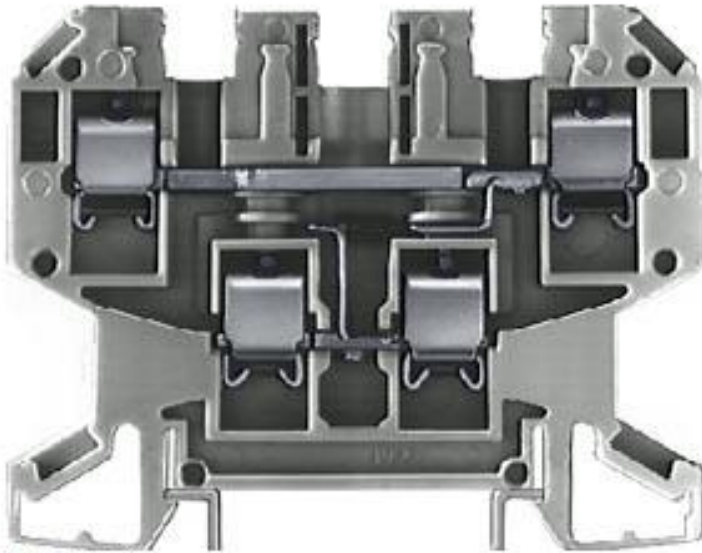


Figure similar

Model		
Design of terminal / Terminal levels internally linked		No
General technical data		
Component type		diode
Insulation material		others
Terminal contact spacing	mm	6.5
Protection class		
Combustibility class acc. to UL 94		others
Main circuit		
Operating voltage / rated value	V	250
Operating current / rated value	A	1
Appearance		
Color		grey
Product details		
Product component / required / connection plate		No
Number		

Number of terminal levels		2
Number of terminal points / per terminal level		2
Connections		
Connectable conductor cross-section / stranded		
• minimum	mm ²	4
• maximum	mm ²	4
Connectable conductor cross-section		
• solid		
— minimum	mm ²	4
— maximum	mm ²	4
• finely stranded		
— with core end processing / minimum	mm ²	4
— with core end processing / maximum	mm ²	4
— without core end processing / minimum	mm ²	4
— without core end processing / maximum	mm ²	4
Type of electrical connection		
• 1		screw-type terminal
• 2		screw-type terminal
Position / of the terminal		top

Mechanical Design		
Height / with lowest-profile installation	mm	45
Length	mm	64
Mounting type		DIN rail 35 mm
Material / of the insulating body		Other

Certificates		
Design tested acc. to type of protection / EEx e		No
General Product Approval	Test Certificates	other



[sonstig](#)

[Umweltbestätigung](#)

Further information

Information- and Downloadcenter (Catalogs, Brochures,...)

<http://www.siemens.com/lowvoltage/catalogs>

Industry Mall (Online ordering system)

<https://eb.automation.siemens.com/mall/en/WW/Catalog/Product/8WA10116EG22>

Service&Support (Manuals, Certificates, Characteristics, FAQs,...)

<http://support.automation.siemens.com/WW/view/en/8WA10116EG22/all>

Image database (product images, 2D dimension drawings, 3D models, device circuit diagrams, ...)

http://www.automation.siemens.com/bilddb/cax_en.aspx?mlfb=8WA10116EG22

CAX-Online-Generator

<http://www.siemens.com/cax>

Tender specifications

<http://ausschreibungstexte.siemens.com/tiplv>

last modified:

17.03.2016