

TWO-TIER TERMINALS WITH SCREW CONNECTION
 CROSS SECTION 2,5 QMM TERMINAL WIDTH 5,2
 MM COLOR GREY

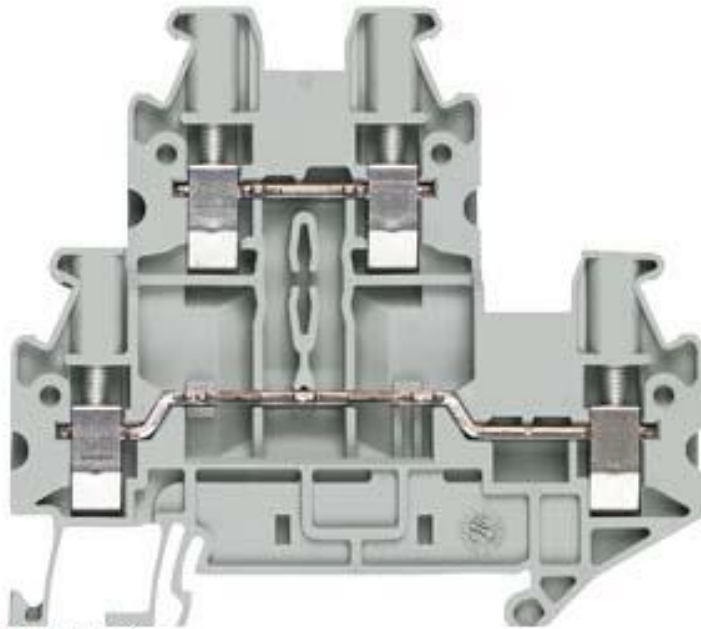


Figure similar

Model		
Design of terminal / Terminal levels internally linked		No
General technical data		
Terminal contact spacing	mm	5.2
Protection class		
Combustibility class acc. to UL 94		V0
Main circuit		
Operating voltage / rated value	V	500
Operating current / rated value	A	24
Appearance		
Color		beige
Product details		
Product component / required / connection plate		Yes
Number		
Number of terminal levels		2
Number of terminal points / per terminal level		2

Connections

Connectable conductor cross-section		
• solid		
— minimum	mm ²	0.14
— maximum	mm ²	4
• finely stranded		
— with core end processing / minimum	mm ²	0.14
— with core end processing / maximum	mm ²	2.5
Type of electrical connection		
• 1		screw-type terminal
• 2		screw-type terminal
Position / of the terminal		lateral

Mechanical Design

Height / with lowest-profile installation	mm	65
Length	mm	69.9
Mounting type		DIN rail 35 mm
Net weight	g	15
Material / of the insulating body		Thermoplast

Environmental conditions

Ambient temperature		
• during operation / minimum	°C	-25
• during operation / maximum	°C	55

Certificates

Design tested acc. to type of protection / EEx e		No
---	--	----

General Product Approval

Declaration of Conformity



Further information

Information- and Downloadcenter (Catalogs, Brochures,...)

<http://www.siemens.com/lowvoltage/catalogs>

Industry Mall (Online ordering system)

<https://eb.automation.siemens.com/mall/en/WW/Catalog/Product/8WH10200AF00>

Service&Support (Manuals, Certificates, Characteristics, FAQs,...)

<http://support.automation.siemens.com/WW/view/en/8WH10200AF00/all>

Image database (product images, 2D dimension drawings, 3D models, device circuit diagrams, ...)

http://www.automation.siemens.com/bilddb/cax_en.aspx?mlfb=8WH10200AF00

CAX-Online-Generator

<http://www.siemens.com/cax>

Tender specifications

<http://ausschreibungstexte.siemens.com/tiplv>

last modified:

12.03.2016