



Plug-in relay complete unit 2 W, 24 V DC LED module red Socket with logic isolation Spring-type terminal (push-in)

product brand name	SIRIUS
product designation	Coupling relay with plug-in relay
product type designation	LZS
<b>General technical data</b>	
display version LED	Yes
consumed active power	0.75 W
percental drop-out voltage related to the input voltage	10 %
protection class IP	IP20
operating frequency without load	360 1/h
operating frequency with load	36 000 1/h
switching behavior	monostable
design of the switching function	changeover switch
design of the switching function positively driven	No
mechanical service life (switching cycles) typical	30 000 000
electrical endurance (switching cycles) at AC-15 at 230 V typical	180 000
thermal current	12 A
reference code acc. to IEC 81346-2	K
<b>Control circuit/ Control</b>	
control supply voltage at DC	
• rated value	24 V
operating range factor control supply voltage rated value at DC	
• initial value	0.9
• full-scale value	1.4
closing delay	
• at DC	15 ms
opening delay	
• at DC	18 ms
design of the relay operating mechanism	poled
product component plug-in socket	Yes
design of the snap-on socket base	Socket with logic isolation
<b>Short-circuit protection</b>	
design of the fuse link for short-circuit protection of the auxiliary switch required	fuse gG: 6 A
<b>Auxiliary circuit</b>	
type of switching contact	Changeover contact
material of switching contacts	AgNi 90/10

number of NC contacts for auxiliary contacts	0	
number of NO contacts for auxiliary contacts	0	
number of CO contacts for auxiliary contacts	2	
<b>operational current of auxiliary contacts at AC-15</b>		
• at 250 V	4 A	
operational current at DC-13 at 24 V rated value	4 A	
<b>operational current of auxiliary contacts at DC-13</b>		
• at 24 V	4 A	
<b>Main circuit</b>		
type of voltage	DC	
<b>Outputs</b>		
ampacity of the output relay at DC-13		
• at 24 V	4 A	
<b>Display</b>		
display version as status display by LED	LED red	
<b>Connections/ Terminals</b>		
product function removable terminal	No	
type of electrical connection	spring-loaded terminals	
type of connectable conductor cross-sections		
• solid	1x (0,75 ... 1,5), 2x (0,75 ... 1,0), 2x 1,5	
• finely stranded with core end processing	1x (0,75 ... 1,5), 2x 0,75	
• finely stranded without core end processing	1x (0,75 ... 1,5), 2x (0,75 ... 1,0), 2x 1,5	
• at AWG cables solid	1x (18 ... 16), 2x (18 ... 16)	
• at AWG cables stranded	1x (18 ... 16), 2x (18 ... 16)	
• connectable conductor cross-section solid	0.75 ... 1.5 mm <sup>2</sup>	
• connectable conductor cross-section finely stranded with core end processing	0.75 ... 1.5 mm <sup>2</sup>	
• connectable conductor cross-section finely stranded without core end processing	0.75 ... 1.5 mm <sup>2</sup>	
• AWG number as coded connectable conductor cross section solid	18 ... 16	
• AWG number as coded connectable conductor cross section stranded	18 ... 16	
<b>Installation/ mounting/ dimensions</b>		
mounting position	any	
fastening method	snap-on mounting	
height	98 mm	
width	28 mm	
depth	79 mm	
<b>Ambient conditions</b>		
• ambient temperature during operation	-40 ... +70 °C	
• ambient temperature during storage	-25 ... +70 °C	
• ambient temperature during transport	-25 ... +70 °C	
<b>Certificates/ approvals</b>		
General Product Approval	Declaration of Conformity	other



[Miscellaneous](#)



[Confirmation](#)

#### Further information

Information- and Downloadcenter (Catalogs, Brochures,...)

<https://www.siemens.com/ic10>

Industry Mall (Online ordering system)

<https://mall.industry.siemens.com/mall/en/en/Catalog/product?mlfb=LZS:PT2D5L24>

Cax online generator

<http://support.automation.siemens.com/WWW/CAXorder/default.aspx?lang=en&mlfb=LZS:PT2D5L24>

Service&Support (Manuals, Certificates, Characteristics, FAQs,...)

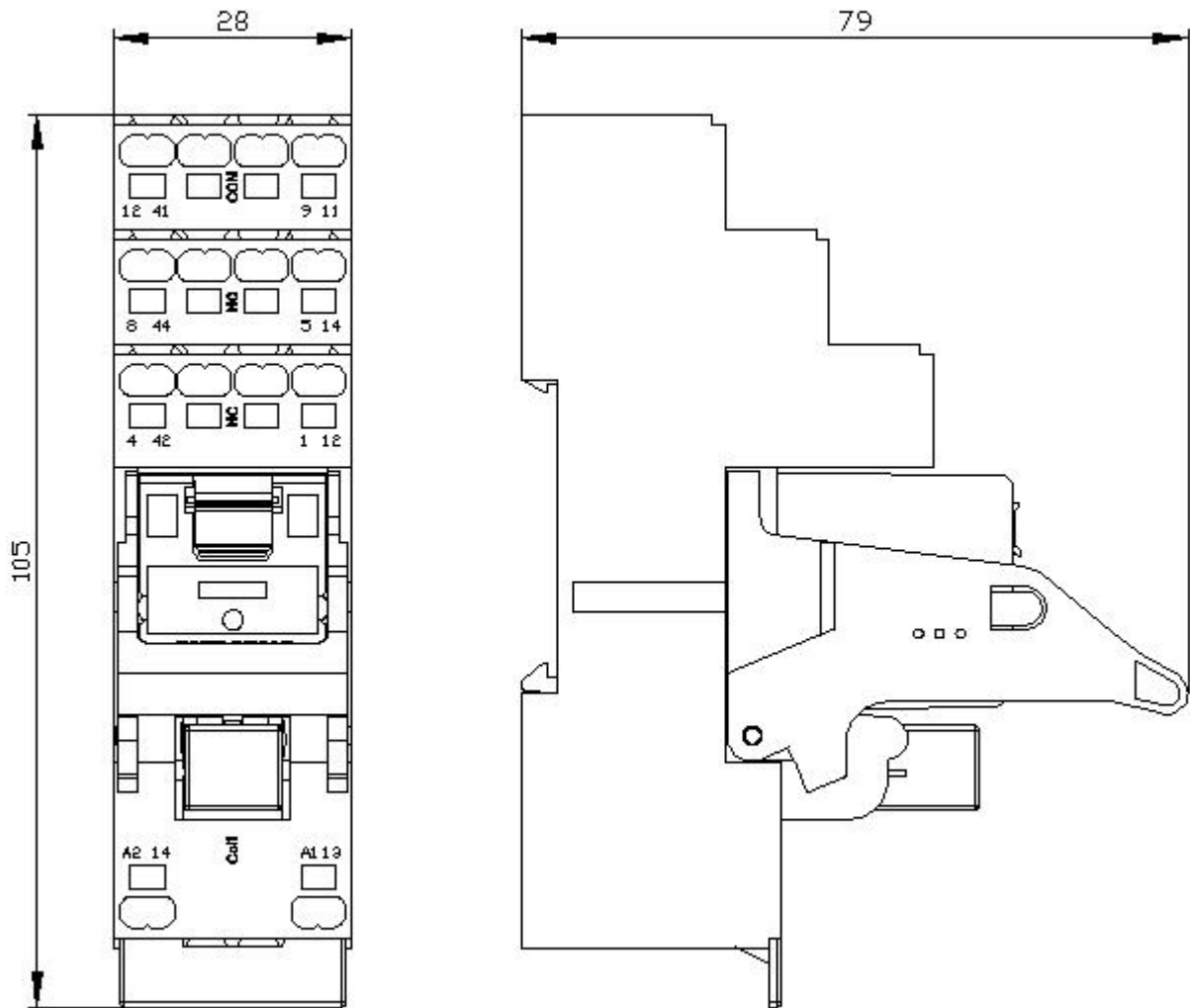
<https://support.industry.siemens.com/cs/ww/en/ps/LZS:PT2D5L24>

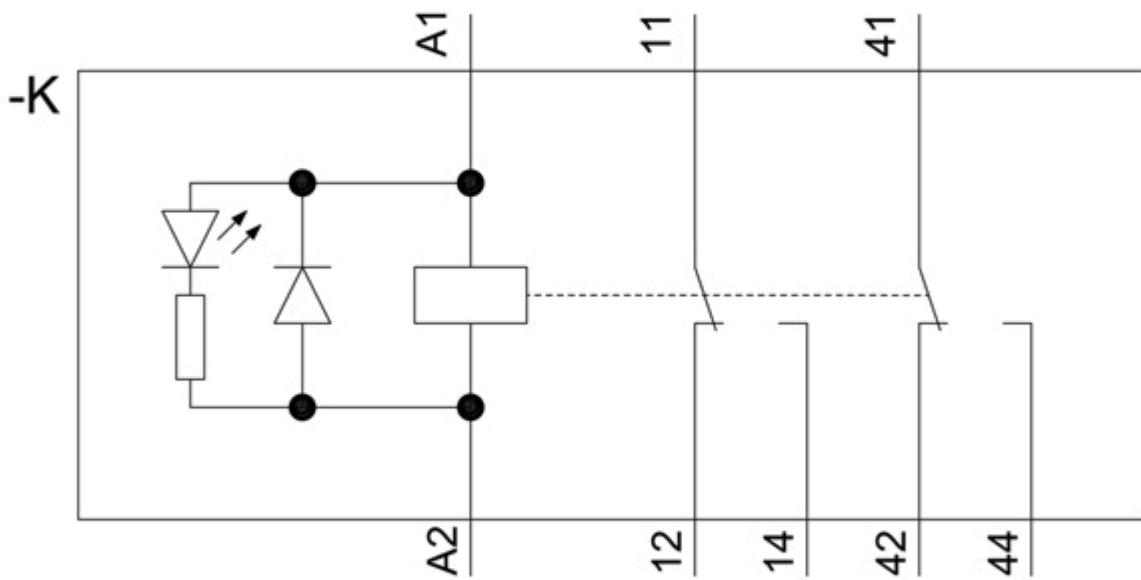
Image database (product images, 2D dimension drawings, 3D models, device circuit diagrams, EPLAN macros, ...)

[http://www.automation.siemens.com/bilddb/cax\\_de.aspx?mfb=LZS:PT2D5L24&lang=en](http://www.automation.siemens.com/bilddb/cax_de.aspx?mfb=LZS:PT2D5L24&lang=en)

Characteristic: Derating

<https://support.industry.siemens.com/cs/ww/en/ps/LZS:PT2D5L24/manual>





last modified:

7/14/2020 