

Isolating transformer TT3 2,5-4-4



Picture shows TT3 10-4-4

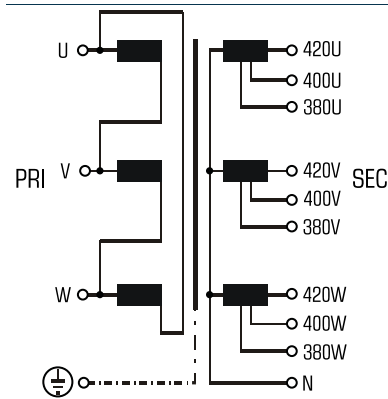
Advantages

Safe galvanic isolation
Patented assembly technology to lower heat losses
Very good corrosion protection and low noise thanks to vacuum impregnation
Secondary side $\pm 5\%$ tapplings for voltage adjustment
Fixed, contact protected screw connection terminals complying with UVV BGV A3
Multifunctional fixing rails with 12 oval slots
Enlarged fixing rail for easy installation from above
Integrated crane eyes

Applications

Isolating transformer for the safe electrical isolation of the input and output sides. The transformer may be used to set up protective separation as a protective measure in accordance with VDE 0100.

Sample application



Standards

Isolating transformer
to: VDE 0570 Part2-4, DIN EN 61558-2-4, EN 61558-2-4, IEC 61558-2-4, UL 5085-1/-2, CSA 22.2 No.66

Approvals



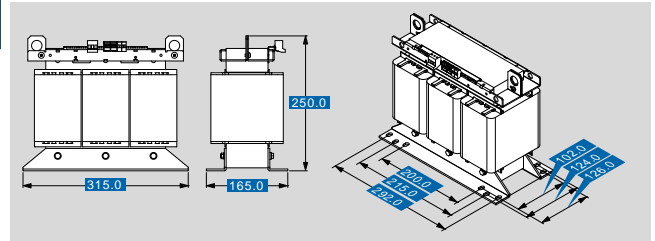
UL 5085-1/-2, CSA 22.2 No.66



Isolating transformer TT3 2,5-4-4

Type		TT3 2,5-4-4	
Electrical data	Input		
	Rated input voltage	3 x 400 Vac	
	Rated frequency	50 - 60 Hz	
	Output		
	Rated output voltage	3 x 400 Vac	
	Tappings Output (±)	±5 %	
	Rated Power	2,500 VA	
	Rated current		3 x 3.8 Aac (3 x 380 Vac)
			3 x 3.7 Aac (3 x 400 Vac)
			3 x 3.5 Aac (3 x 420 Vac)
	Power loss	155.0 W	
	Short circuit voltage	3.7 %	
	Vector group	Dyn 5	
	Efficiency	94.3 %	
	Approvals		
Approvals	cURus		
Environment			
Ambient temperature max.	50 °C		
Safety and protection			
Insulation class	VDE=F, UL=class 155		
Protection index	IP 00		
Safety class (prepared)	I		
Type	Open type		
Short circuit strength	non-short-circuit proof		
Order numbers			
Recommended enclosure	BGE-050		
Order Number	TT3 2,5-4-4		

Type		TT3 2,5-4-4
Mechanical data	Terminal and mounting	
	Fixing method	Fixing rail
	Fixing screws	M8
	Terminals	Screw-type terminal
	Measures and weights	
	Core type	3UI 132/72
	Weight	32.00 kg



Subject to change.