



CIRCUIT-BREAKER SIZE S0,
FOR MOTOR PROTECTION, CLASS 10,
A-REL. 20...25A, N-REL. 325A,
SCREW TERMINAL,
STANDARD SWITCHING CAPACITY

General technical data:		
product brand name		SIRIUS
product designation		circuit breaker
Size of the circuit-breaker		S0
Trip class		CLASS 10
Degree of pollution		3
Installation altitude / at a height over sea level / maximum	m	2,000
Protection class IP / on the front		IP20
Ambient temperature		
• during storage	°C	-50 ... 80
• during the operating phase	°C	-20 ... 70
• during transport	°C	80 ... -50
Resistance against shock		25g / 11 ms
Insulation voltage / rated value	V	690
Impulse voltage resistance / rated value	V	6,000
Active power loss / total / typical	W	8
Item designation		
• according to DIN 40719 extendable after IEC 204-2 / according to IEC 750		Q
• according to DIN EN 61346-2		Q

Mechanical operating cycles as operating time / of the main contacts / typical		100,000
Type of the driving mechanism / motor drive		No
Design of the operating mechanism		selector switch
Product function		
• overload protection		Yes
• phase disturbance recognition		Yes
Product component		
• auxiliary switch		No
• undervoltage release mechanism		No
• trip indicator		No
Product extension / optional / motor drive		No

Main circuit:

Number of poles / for main current circuit		3
type of voltage		AC/DC
Operating voltage / at AC-3 / rated value / maximum	V	690
Operating current / at AC-3 / at 400 V / rated value	A	25
Service power / at AC-3		
• at 400 V / rated value	kW	11
Frequency of operation / at AC-3 / according to IEC 60947-6-2 / maximum	1/h	15
Arrangement of electrical connectors / for main current circuit		front side
Adjustable response current		
• of the non-delayed short-circuit release	A	325 ... 325
Adjustable response current		
• of the current-dependent overload release	A	20 ... 25
Continuous current / rated value	A	25
Product extension / auxiliary switch		Yes

Auxiliary circuit:

Number of NC contacts / for auxiliary contacts / instantaneous switching		0
Number of NO contacts / for auxiliary contacts / instantaneous switching		0
Number of change-over switches / for auxiliary contacts		0

Inputs/ Outputs:

Number of digital inputs		0
---------------------------------	--	---

Short-circuit:

Breaking capacity limit short-circuit current (I_{cu})		
• at 400 V / rated value	kA	50

• at 500 V / rated value	kA	10
• at 690 V / rated value	kA	4
Design of the electrical connection / for auxiliary and control current circuit		screw-type terminals
Design of the overcurrent release and short-circuit release		thermomagnetic

Installation/mounting/dimensions:

Built in orientation		any
Type of mounting		screw and snap-on mounting onto 35 mm standard mounting rail according to DIN EN 50022
Width	mm	45
Height	mm	97
Depth	mm	96
Distance, to be maintained, to the ranks assembly		
• backwards	mm	0
• sideways	mm	0
Product function / removable terminal for auxiliary and control circuit		No

Connections:

Design of the electrical connection		
• for main current circuit		screw-type terminals
Type of the connectable conductor cross-section		
• for main contacts		
• solid		2x (1 ... 2.5 mm ²), 2x (2.5 ... 6 mm ²)
• stranded		2x (1 ... 2,5 mm ²), 2x (2,5 ... 6 mm ²)
• finely stranded		
• with conductor end processing		2x (1 ... 2.5 mm ²), 2x (2.5 ... 6 mm ²)
• for AWG conductors / for main contacts		2x (14 ... 10)
Conductor cross section that can be connected / for main contacts		
• solid	mm ²	1 ... 6
• stranded	mm ²	1 ... 6
• stranded wire		
• with conductor end processing	mm ²	1 ... 6
AWG number / as coded connectable conductor cross-section		
• for main contacts		14 ... 10

Certificates/approvals:

General Product Approval

For use in hazardous locations

[CQC](#)



[KETI](#)

[ROSTEST](#)



[DEKRA EXAM, DMT](#)

Test Certificates

[Manufacturer](#)

Shipping Approval

[ABS](#)



other

[Manufacturer](#)

[other](#)

Safety:

Protection against electrical shock

finger-safe

Further information:

Information- and Downloadcenter (Catalogs, Brochures,...)

<http://www.siemens.com/industrial-controls/catalogs>

Industry Mall (Online ordering system)

<http://www.siemens.com/industrial-controls/mall>

CAX-Online-Generator

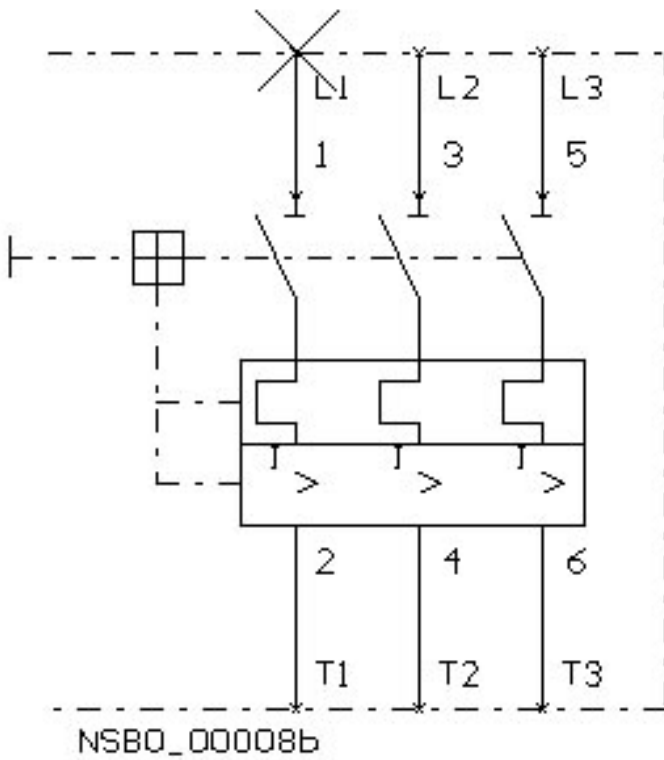
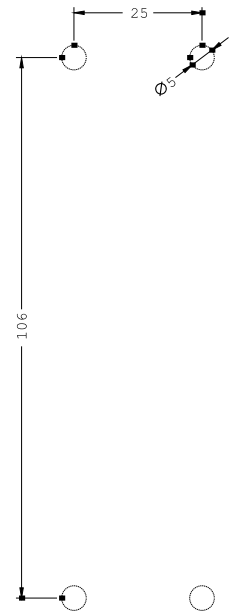
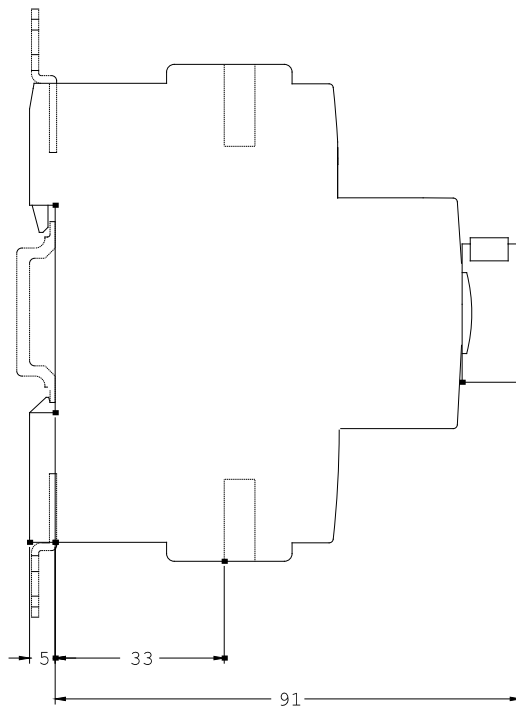
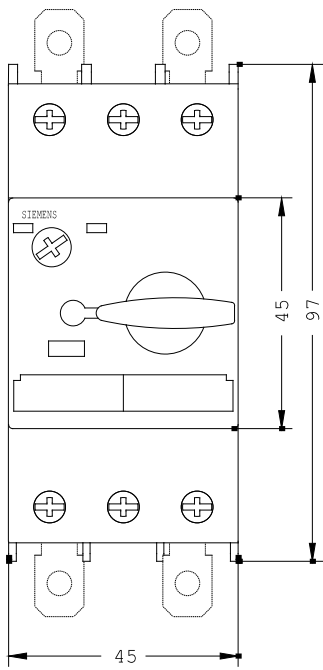
<http://www.siemens.com/cax>

Service&Support (Manuals, Certificates, Characteristics, FAQs,...)

<http://support.automation.siemens.com/WWW/view/en/3RV1021-4DA10/all>

Image database (product images, 2D dimension drawings, 3D models, device circuit diagrams, ...)

http://www.automation.siemens.com/bilddb/cax_en.aspx?mlfb=3RV1021-4DA10



last change:

May 16, 2011