



22MM PLASTIC ROUND INDICATOR: INDICATOR LIGHT WITH SMOOTH LENSE ILLUMINABLE WITH HOLDER CLEAR

Actuator:		
Design of the operating mechanism		indicator light, with smooth lens
External diameter / of the activation element	mm	28
Material / of the activation element		plastic
Button:		
Model of the lens		round
Color / of the button		clear
Front ring:		
Product component / front ring		No
Material / of the front ring		plastic
Auxiliary circuit:		
Number of NC contacts / for auxiliary contacts		0
Number of NO contacts / for auxiliary contacts		0
Number of change-over switches / for auxiliary contacts		0
General technical details:		
Design of the product		with smooth lense
Design of the indicator light		lense, smooth
Design of the cap		flat

Color / of the lens		clear
Number of control points		0
Number of indicator lights / installable		1
Number of switching positions		0
Product extension / optional / fluorescent materials		Yes
Product function / emergency stop function		No
Resistance against shock		
<ul style="list-style-type: none"> • for devices with incandescent lamp / according to IEC 60068-2-27 • for devices without incandescent lamp / according to IEC 60068-2-27 		<= 30g <= 50g
Resistance against vibration / according to IEC 60068-2-6		20 ... 200 Hz: 5g
Operating cycles / maximum	1/h	1,000
Item designation		
<ul style="list-style-type: none"> • according to DIN EN 61346-2 • according to DIN 40719 extendable after IEC 204-2 / according to IEC 750 		P H

Installation/mounting/dimensions:

Type of mounting		front mounting
material / of the housing		plastic
Shape / of the installation hole		round
Installation width	mm	22
Mounting diameter	mm	22
Height	mm	30
Width	mm	30
Depth	mm	40.5
Tightening torque / of the screws in the holder / maximum	N·m	1

Ambient conditions:

Ambient temperature		
<ul style="list-style-type: none"> • during storage • during the operating phase 	°C °C	-40 ... 80 -25 ... 70
Protection class IP		IP66
Climatic class / according to DIN EN ISO 6270-2		KTW24

Certificates/approvals:

General Product Approval



[ROSTEST](#)



Test Certificates

[Manufacturer](#)

Shipping Approval

[ABS](#)



[PRS](#)



other

[Manufacturer](#)

Further information:

Information- and Downloadcenter (Catalogs, Brochures,...)

<http://www.siemens.com/industrial-controls/catalogs>

Industry Mall (Online ordering system)

<http://www.siemens.com/industrial-controls/mall>

CAX-Online-Generator

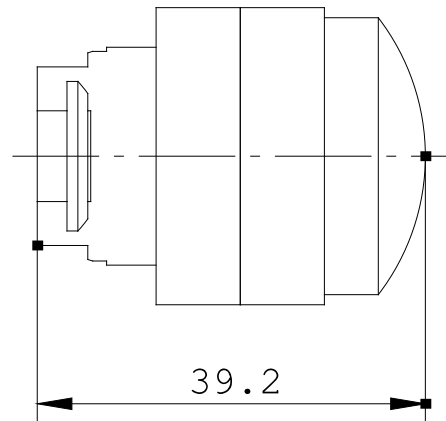
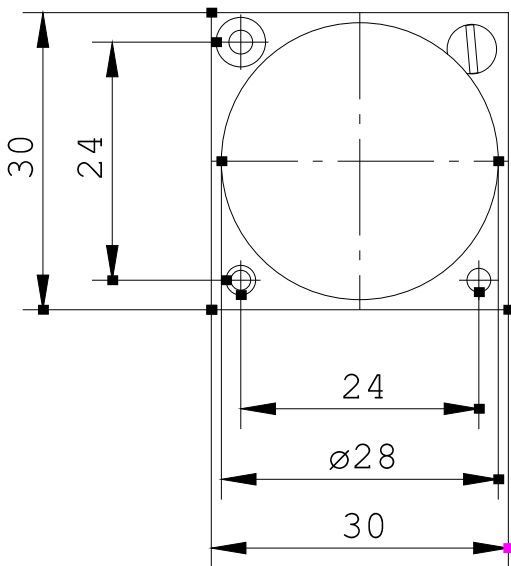
<http://www.siemens.com/cax>

Service&Support (Manuals, Certificates, Characteristics, FAQs,...)

<http://support.automation.siemens.com/WW/view/en/3SB3001-6AA70/all>

Image database (product images, 2D dimension drawings, 3D models, device circuit diagrams, ...)

http://www.automation.siemens.com/bilddb/cax_en.aspx?mlfb=3SB3001-6AA70



last change:

May 16, 2011