



ENCLOSURE FOR COMMAND DEVICES, 22MM, ROUND, ENCLOSURE MATERIAL METAL, ENCLOSURE TOP PART YELLOW, 1 COMMAND POSITION, A=EMERG. STOP MUSHR. PUSHBUTTON RED, 40MM, ROTATE-TO-UNLATCH, 1NC, SCREW CONNECTION, FLOOR MOUNTING, 1 X M20 EACH AT TOP AND BOTTOM

Enclosure:	
Design of the housing	Enclosure for command and signaling devices with standard equipment
Shape of the enclosure front	Square
Material of the enclosure	metal
Number of command points	1
Product component	
• protective collar	No
Color	
• of top part of the enclosure	yellow
Delivery state	
• as a kit	No
• pre-wired on strip terminal	No
Mounting type of the enclosure	Vertical

Actuator:	
Design of the operating mechanism	Emergency stop mushroom pushbutton
Product feature	
• lockout	No
Product extension optional Light source	No

<b>Color</b>	
• of the actuating element	Red
<b>Material of the actuating element</b>	metal
<b>Type of unlocking device</b>	rotate-to-unlatch mechanism

#### Front ring:

<b>Product component front ring</b>	No
-------------------------------------	----

#### Holder:

<b>Material of the holder</b>	Metal
-------------------------------	-------

#### Contact block/ lampholder:

<b>Number of lampholders</b>	0
<b>Number of switching elements</b>	1

#### General technical data:

<b>Product function</b>	
• positive opening	Yes
• EMERGENCY OFF function	Yes
• EMERGENCY STOP function	Yes
<b>Product component</b>	
• Light source	No
• Stand/pedestal	No
<b>Protection class IP</b>	IP67
<b>Vibration resistance</b>	
• acc. to IEC 60068-2-6	20 ... 200 Hz: 5g
<b>Equipment marking</b>	
• acc. to DIN 40719 extended according to IEC 204-2 acc. to IEC 750	S
• acc. to DIN EN 61346-2	S
• acc. to DIN EN 81346-2	S
<b>Operating voltage 1</b>	
• at AC	
— at 50 Hz rated value	400 V
— at 60 Hz rated value	300 V
• at DC rated value	230 V

#### Auxiliary circuit:

<b>Number of NC contacts</b>	
• for auxiliary contacts	1
<b>Number of NO contacts</b>	
• for auxiliary contacts	0
<b>Number of CO contacts</b>	
• for auxiliary contacts	0
<b>Operating current at AC-12</b>	

<ul style="list-style-type: none"> <li>• at 24 V rated value</li> <li>• at 48 V rated value</li> <li>• at 110 V rated value</li> <li>• at 230 V rated value</li> <li>• at 400 V rated value</li> </ul>	10 A 10 A 10 A 10 A 10 A
<b>Operating current at AC-15</b>	
<ul style="list-style-type: none"> <li>• at 24 V rated value</li> <li>• at 48 V rated value</li> <li>• at 110 V rated value</li> <li>• at 230 V rated value</li> <li>• at 400 V rated value</li> </ul>	6 A 6 A 6 A 6 A 3 A
<b>Operating current at DC-12</b>	
<ul style="list-style-type: none"> <li>• at 24 V rated value</li> <li>• at 48 V rated value</li> <li>• at 110 V rated value</li> <li>• at 230 V rated value</li> </ul>	10 A 5 A 2.5 A 1 A
<b>Operating current at DC-13</b>	
<ul style="list-style-type: none"> <li>• at 24 V rated value</li> <li>• at 48 V rated value</li> <li>• at 110 V rated value</li> <li>• at 230 V rated value</li> </ul>	3 A 1.5 A 0.7 A 0.3 A

#### Connections/ Terminals:

<b>Type of electrical connection on enclosure</b>	Cable routing above and below, both 1 x M20
<b>Tightening torque of the screws in the bracket</b>	1 N·m

#### Safety related data:

<b>B10 value</b>	
<ul style="list-style-type: none"> <li>• with high demand rate acc. to SN 31920</li> </ul>	100 000
<b>Proportion of dangerous failures</b>	
<ul style="list-style-type: none"> <li>• with low demand rate acc. to SN 31920</li> <li>• with high demand rate acc. to SN 31920</li> </ul>	20 % 20 %
<b>Failure rate [FIT]</b>	
<ul style="list-style-type: none"> <li>• with low demand rate acc. to SN 31920</li> </ul>	100 FIT
<b>T1 value for proof test interval or service life acc. to IEC 61508</b>	20 y

#### Ambient conditions:

<b>Ambient temperature</b>	
<ul style="list-style-type: none"> <li>• during operation</li> <li>• during storage</li> </ul>	-25 ... +70 °C -40 ... +80 °C
<b>Environmental category during operation acc. to IEC 60721</b>	3K6

#### Installation/ mounting/ dimensions:

<b>Mounting type</b>	
• of contact blocks, socket, and accessories	Floor mounting
<b>Height</b>	85 mm
<b>Width</b>	85 mm
<b>Depth</b>	65 mm
<b>Shape of the installation opening</b>	round
<b>Mounting diameter</b>	22 mm

#### Accessories:

<b>Number of labels</b>	0
<b>Number of backing plates</b>	0
<b>Product component holder for 3 switching elements</b>	No

#### Certificates/approvals

General Product Approval	Declaration of Conformity	Test Certificates	Shipping Approval
--------------------------	---------------------------	-------------------	-------------------



CSA



UL



EG-Konf.

[spezielle Prüfbescheinigung](#)  
[n](#)



ABS

Shipping Approval	other
-------------------	-------



DNV



LRS



PRS

[Umweltbestätigung](#)

[Bestätigungen](#)

#### Further information

##### Information- and Downloadcenter (Catalogs, Brochures,...)

<http://www.siemens.com/industrial-controls/catalogs>

##### Industry Mall (Online ordering system)

<https://mall.industry.siemens.com/mall/en/en/Catalog/product?mlfb=3SB38012DG3>

##### Cax online generator

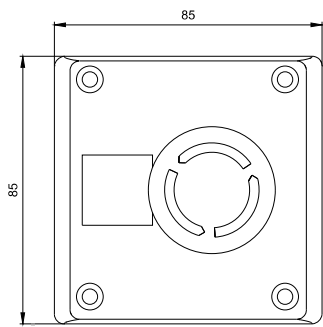
<http://support.automation.siemens.com/WW/CAXorder/default.aspx?lang=en&mlfb=3SB38012DG3>

##### Service&Support (Manuals, Certificates, Characteristics, FAQs,...)

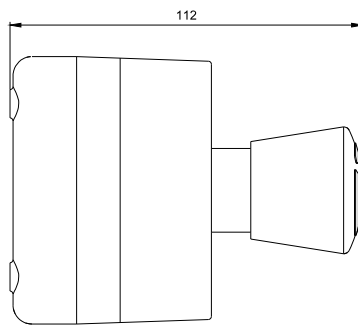
<https://support.industry.siemens.com/cs/ww/en/ps/3SB38012DG3>

##### Image database (product images, 2D dimension drawings, 3D models, device circuit diagrams, EPLAN macros, ...)

[http://www.automation.siemens.com/bilddb/cax\\_de.aspx?mlfb=3SB38012DG3&lang=en](http://www.automation.siemens.com/bilddb/cax_de.aspx?mlfb=3SB38012DG3&lang=en)



**last modified:**



21.03.2016

