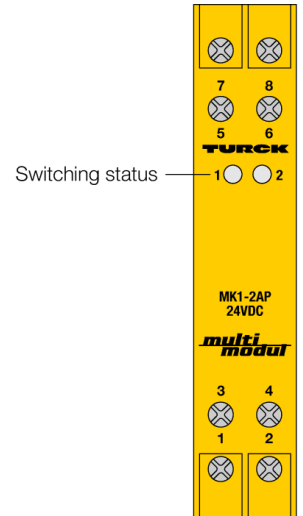
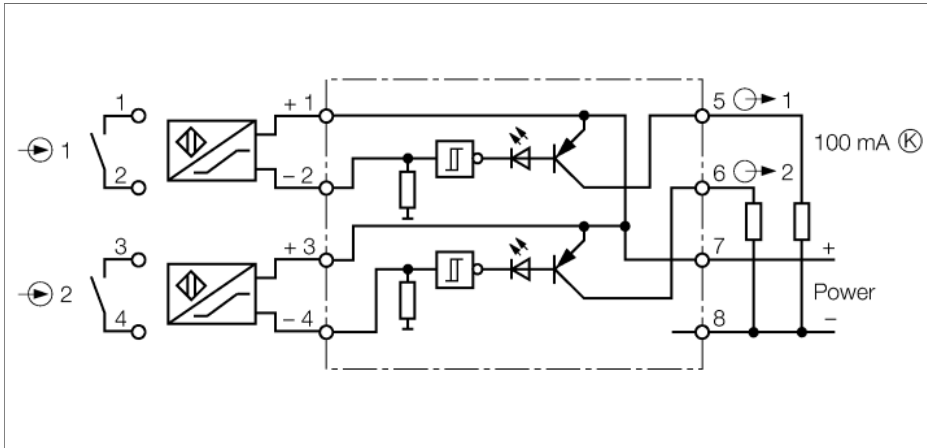


**Isolating switching amplifier
2-channel
MK1-2AP/24VDC**



The isolating switching amplifier MK1-2AP/24VDC is equipped with two intrinsically safe input circuits.

Sensors according to EN 60947-5-6 (NAMUR) or potential free contactors can be connected to the device.

The coupler features short-circuit protected pnp transistor outputs.

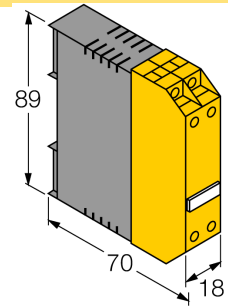
The switching state of the coupler is explained in the block diagram below.

The yellow LED indicates the switching status.

- **NO mode**
- **Short-circuit protected pnp transistor outputs**
- **Galvanic separation of input circuits, output circuits and power supply**

**Isolating switching amplifier
2-channel
MK1-2AP/24VDC**

Dimensions



Type	MK1-2AP/24VDC
Ident-No.	7505500
Nominal voltage	24 VDC
Operating voltage range	19...29 VDC
Power consumption	≤ 0.5 W
NAMUR	EN-60947-5-6
No-load voltage	8 VDC
Short-circuit current	5 mA
Input resistance	1 kΩ
Cable resistance	≤ 50 Ω
Switch-on threshold:	1.55 mA
Switch-off threshold:	1.75 mA
Voltage drop	≤ 2.5 V
Semiconductor output circuit(s)	
Output circuits (digital)	2 x transistors (pnp, short-circuit proof)
Switching voltage	≤ 29 VDC
Switching current per output	≤ 100 mA
Switching frequency	≤ 1000 Hz
Rated voltage	250 V
Indication	
Switching state	yellow
Mechanical Data	
Protection class	IP20
Ambient temperature	-25...+60 °C
Storage temperature	-40...80°C
Dimensions	89 x 18 x 70 mm
Weight	69 g
Mounting instruction	For mounting on DIN rail or mounting panel
Housing material	Polycarbonate/ABS
Electrical connection	4 x 2-pole flat terminals with self-lifting pressure plates
Terminal cross-section	1 x 2.5 mm ² / 2 x 1.5 mm ²